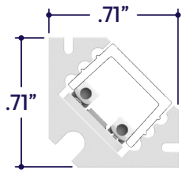


### END VIEWS / DIMENSIONS



### LENS / OPTICS APPEARANCE



Clear Lens (CL)  
Visible Diode Image  
0% Light Loss



50% Semi-Frosted Lens (SF)  
Slight Diode Image  
12.5% Light Loss



100% Frosted Lens (F)  
No Diode Image: Line of Light  
25% Light Loss

### GENERAL FEATURES

<b>Applications</b>	Accent, Decorative, Surface, Recessed, Pendant Lighting
<b>Lens</b>	Clear, 50% Semi-Frosted, or 100% Frosted
<b>Viewing Angle</b>	120°
<b>Length</b>	Built to Order (+/- 1/8" Tolerance)
<b>Construction</b>	Aluminum Extrusion
<b>Weight</b>	0.241 lbs per foot
<b>Mounting</b>	Mounting Channel or Mounting Clips (Sold Separately)
<b>Listing</b>	Dry, Wet, or IP67 Location UL2108, 67.1.9, 60.4, CSA C22.2 #9 UL8750, CSA250
<b>Driver</b>	Remote (Sold Separately)
<b>Closet Rating</b>	Up to 3.6 Watts per Foot Maximum
<b>Temperature Ratings</b>	Operating / Startup: -20° to 48°C (-4° to 120°F) Storage: -40° to 76°C (-40° to 170°F)
<b>Installation Link</b>	

### ELECTRICAL

<b>Dimming</b>	0-10V, Forward / Reverse Phase, Lutron, DMX, DALI
<b>Maximum Run (Class 1 Applications)</b>	20' (6W), 30' (4W), 36' (3W, 2W)
<b>Maximum Run (Class 2 Applications)</b>	14' (6W), 21' (4W), 28' (3W), 36' (2W)
<b>Luminaire Voltage</b>	24VDC

### SPECIFY PRODUCT CODE | CHOOSE FROM DROP DOWNS

Series	Lens	Watts per Foot	Dimming	CCT LED	Listing	Finish	Luminaire Length
<b>A1-ZAKY-CRN</b>							
ZAKY Corner (A1-ZAKY-CRN)	Clear Lens (CL)	2 Watts (2W) 216 Lumens / ft*	0-10V: 100% - 1% (10V) Phase Dimming: Forward Phase / Reverse Phase (PH)	2400K (24K) 2700K (27K)	Indoor (DRY)	Natural Silver <sup>§</sup> (NA)	Specify Length in Feet & Inches Example: 7'8"
	50% Semi-Frosted Lens (SF)	3 Watts (3W) 324 Lumens / ft*	Hi-Lume 1% 2 Wire* <sup>§</sup> (LTEA) Hi-Lume 1% 3 Wire* <sup>§</sup> (L3DA)	3000K (30K) 3500K (35K)	Outdoor* <sup>§</sup> (WET)	Polished (PA)	
	100% Frosted Lens: Line of Light (F)	4 Watts (4W) 432 Lumens / ft*	Hi-Lume Premier 0.1% JA8* <sup>§</sup> (L3D0)	4000K (40K) 4500K (45K)	Outdoor IP67* <sup>§</sup> (IP67)	White (WH)	
			DALI* <sup>§</sup> (DALI) DMX-512* <sup>§</sup> (DMX)	5000K (50K) 5700K (57K)			
		6 Watts (6W) 648 Lumens / ft*	JA8 0-10V (JA8-10V)	Red (R)	Satin / Silver (SA)		
			JA8 Hi-Lume 1% 2 Wire* <sup>§</sup> (JA8-LTEA)	Green (G) Blue (B) Amber (A)	Black (BK)		
			<b>Leave Blank for Non-Dimming</b>				

- Note:** Remote drivers wattage sized based on length of run.  
**Example:** 10' run x 3 Watts per foot = 30 Watts. Driver will be sized to 30 Watts maximum.
- \* Lumens per Foot based on 35K CCT LED with Clear Lens (CL).  
**Example:** 108 Lumens x 2 Watts = 216 Lumens per Foot.
  - <sup>§</sup> (LTEA) 40 watt max Hi-Lume 1% LTEA2W #LTEA4U1UKL-CV240
  - <sup>§</sup> (L3DA) 40 watt max Hi-Lume 1% L3DA3W #L3DA4U1UKL-CV240
  - <sup>§</sup> (L3D0) 96 watt max Hi-Lume Premier 0.1% #L3D0-96W24V-U
  - <sup>§</sup> Default DMX address of each fixture is 001. Consult third party DMX commissioner to modify at time of installation.
  - <sup>§</sup> DALI commissioning to be performed by a third party at time of installation. ALUZ does not provide DALI commissioning.
  - <sup>§</sup> Run lengths required for Wet Location and IP67 products. Provide run lengths at time of order.
  - <sup>§</sup> Standard Finish is Natural Silver (NA) if left blank.

### LAMP FEATURES

Lamp Type	LEDs
CRI	> 90
Efficacy (Based on 35K CCT LED)	108 Lumens per Watt

### LAMP SPECIFICATIONS

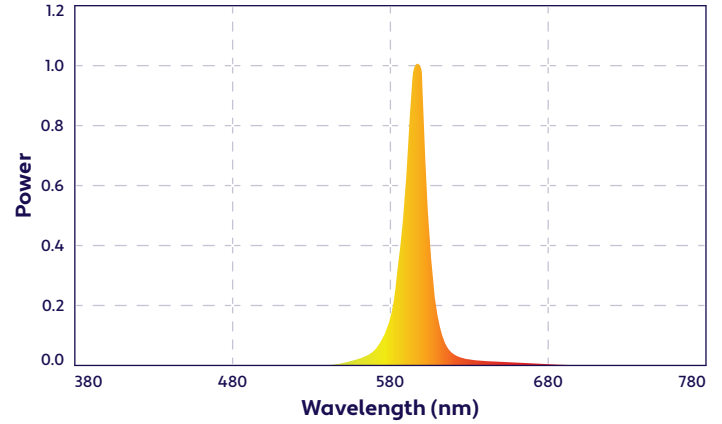
Lamp Number	Correlated Color Temperature / Description	Efficacy (Lumens per Watt)	L70 LED Life
24K	2400 Kelvin (Incandescent White)	108	60,000 hrs.
27K	2700 Kelvin (Warm White)	108	
30K	3000 Kelvin (Warm White)	108	
35K	3500 Kelvin (Neutral White)	108	
40K	4000 Kelvin (Neutral White)	108	
45K	4500 Kelvin (Neutral White)	108	
50K	5000 Kelvin (Cool White)	108	
57K	5700 Kelvin (Cool White)	108	40,000 hrs.
R	Red (621nm)		
G	Green (525nm)		
B	Blue (470nm)		
A	Amber (590nm)		

To calculate Lumens per Foot, multiply Efficacy by Watts per Foot.  
**Example:** 108 Lumens per Watt x 2 Watts per Foot = 216 Lumens per Foot.

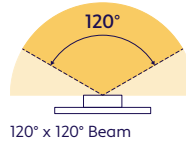
### DRIVERS

Dimming Selection	Product Code	Link to Specification Sheet / URL
0-10V: 100% - 1%	(10V)	
Phase Dimming: Forward Phase / Reverse Phase	(PH)	
Hi-Lume 1% 2 Wire*2	(LTEA)	
Hi-Lume 1% 3 Wire*3	(L3DA)	
Hi-Lume Premier 0.1% JA8*4	(L3D0)	
DMX-512*5	(DMX)	
DALI*6	(DALI)	
JA8 0-10V	(JA8-10V)	
JA8 Hi-Lume 1% 2 Wire*2	(JA8-LTEA)	

### SPECTRAL POWER DISTRIBUTION AMBER LED (590nm) TURTLE FRIENDLY

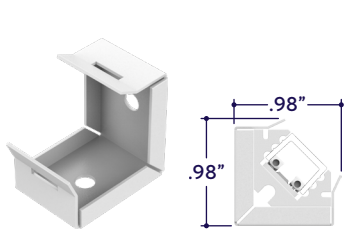


### BEAM ANGLE



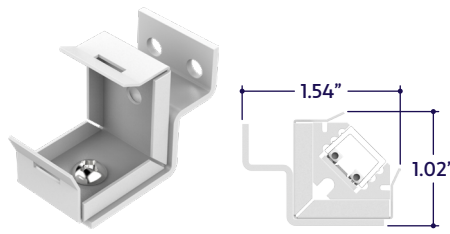
### MOUNTING OPTIONS (Sold Separately)

**Note:** Mounting clips are only available in Natural Silver Finish, unless otherwise specified.



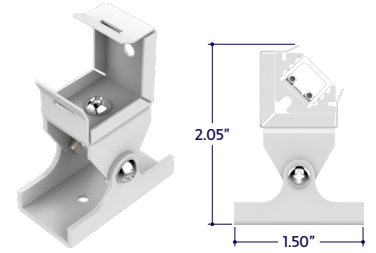
Part #	Qty.
A1-ZAKY-CRN-MC-1	

**Note:** Use 1 mounting clip per 2', rounded up.  
Click on image to see cut sheet for additional details.



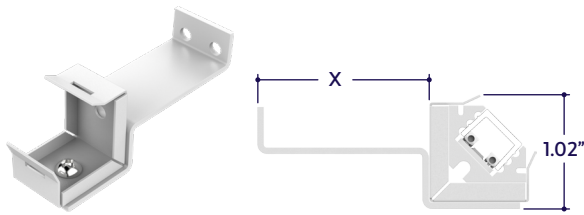
Part #	Qty.
A1-ZAKY-CRN-MC-2	

**Note:** Use 1 mounting clip per 2', rounded up.  
Click on image to see cut sheet for additional details.



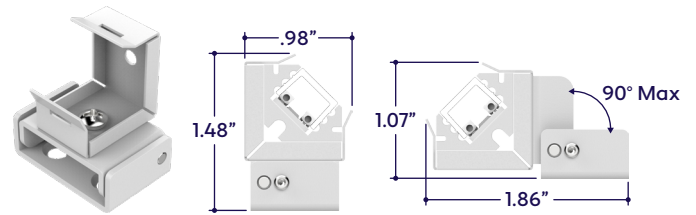
Part #	Qty.
A1-ZAKY-CRN-MC-3	

**Note:** Use 1 mounting clip per 2', rounded up.  
Click on image to see cut sheet for additional details.



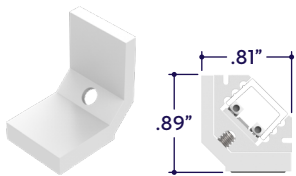
Part #	Length	Qty.
A1-ZAKY-CRN-MC-4-		

**Note:** Use 1 mounting clip per 2', rounded up.  
Click on image to see cut sheet for additional details.



Part #	Qty.
A1-ZAKY-CRN-MC-ADJ	

**Note:** Use 1 mounting clip per 2', rounded up.  
Click on image to see cut sheet for additional details.



Part #	Qty.
A1-ZAKY-CRN-MC-MM	

**Note:** Use 1 mounting clip per 2', rounded up.  
Click on image to see cut sheet for additional details.

### END CAPS (Sold Separately)



End Cap  
(A1-ZAKY-CRN-EC)

Part #	Qty.
A1-ZAKY-CRN-EC	

**Note:** Use 1 End Cap for each termination without power feed.

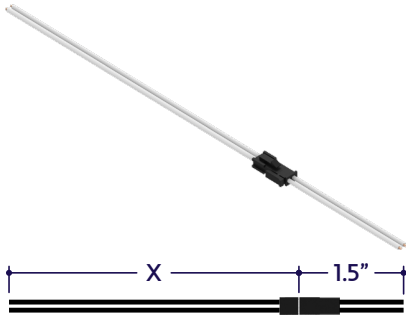


End Cap with Hole  
(A1-ZAKY-CRN-EC-H)

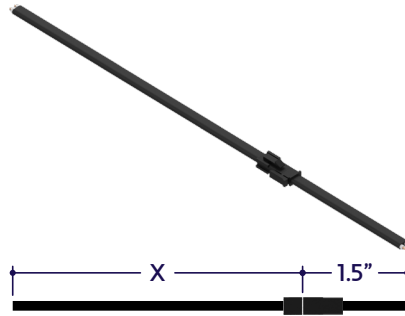
Part #	Qty.
A1-ZAKY-CRN-EC-H	

**Note:** Use 1 End Cap with Hole for each termination with power feed.

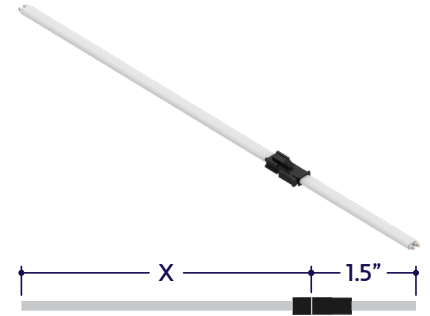
**DRY CONNECTORS (Sold Separately)**



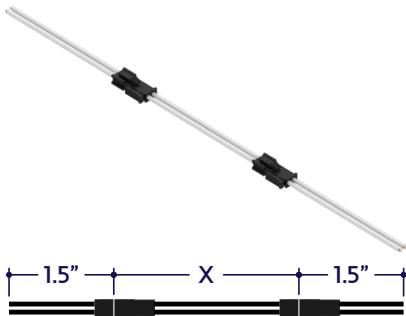
Part #	Length	Qty.
A1-PC-2P-DRY-	36"	
A1-CC-2P-DRY-		



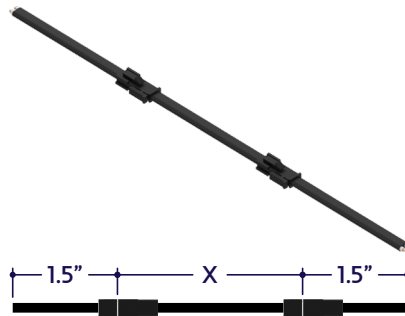
Part #	Length	Qty.
A1-PC-2P-DRY-BK-	36"	
A1-CC-2P-DRY-BK-		



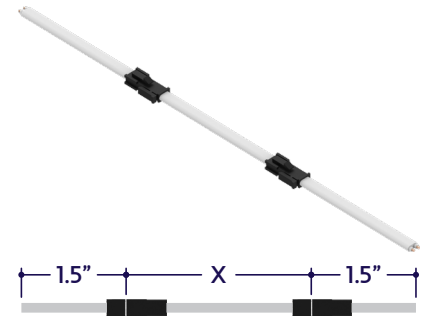
Part #	Length	Qty.
A1-PC-2P-DRY-WH-	36"	
A1-CC-2P-DRY-WH-		



Part #	Length	Qty.
A1-CC-2P-DRY-	3"	
A1-CC-2P-DRY-		

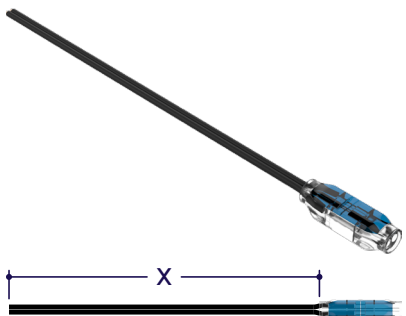


Part #	Length	Qty.
A1-CC-2P-DRY-BK-	3"	
A1-CC-2P-DRY-BK-		

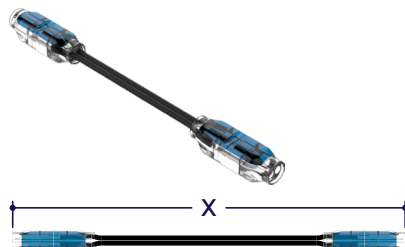


Part #	Length	Qty.
A1-CC-2P-DRY-WH-	3"	
A1-CC-2P-DRY-WH-		

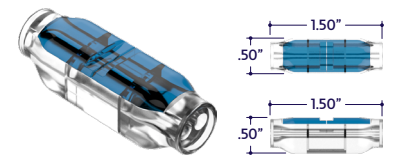
**WET CONNECTORS (Sold Separately)**



Part #	Length	Qty.
A1-PC-2P-WET-	36"	
A1-PC-2P-WET-		



Part #	Length	Qty.
A1-CC-2P-WET-	3"	
A1-CC-2P-WET-		

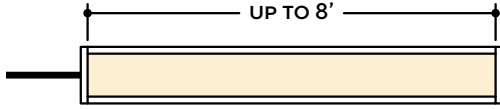


Part #	Qty.
A1-SC-2P-WET	

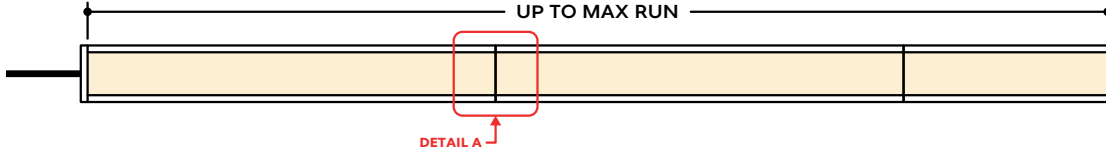


## DESIGN GUIDELINES

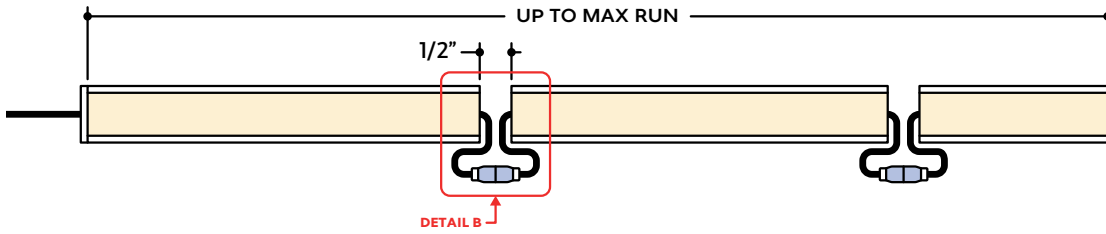
### Individual Fixture



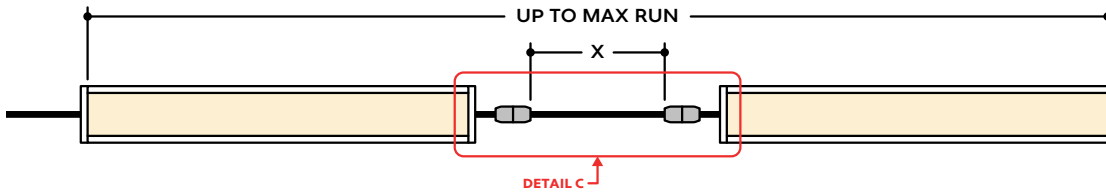
### Continuous Run (Dry Location)



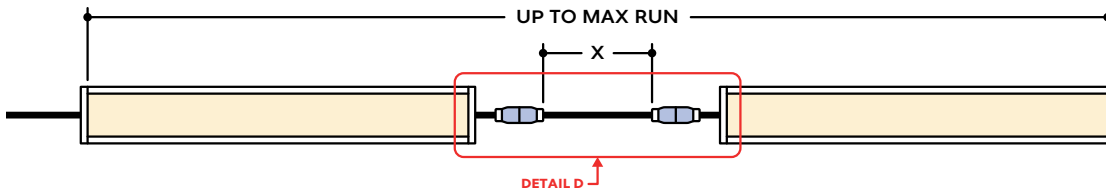
### Continuous Run (Wet Location)



### Runs with Continuous Connector (Dry Location)



### Runs with Continuous Connector (Wet Location)

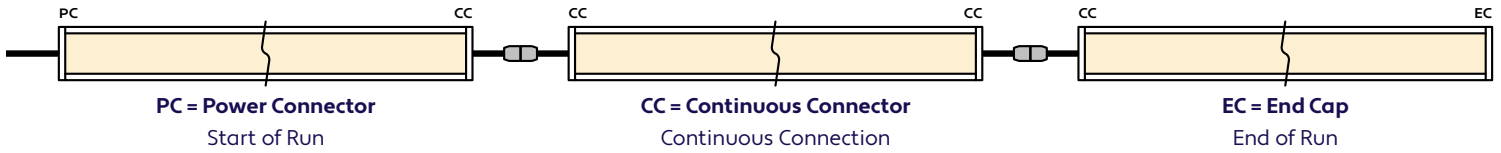


## KEY

- Detail A** **Continuous Connection (Dry Location):** Luminaire segments connect using pins, leaving no gaps between segments, with a mounting clip holding the two segments together. Refer to installation instructions for additional information.
- Detail B** **Continuous Connection (Wet Location):** Luminaire segments are connected using a provided splice connector, with a 1/2" gap between segments.
- Detail C** **Dry Continuous Connector:** Used to span a corner or traverse a gap, corner, or obstacle in a dry location installation area.
- Detail D** **Wet Continuous Connector:** Used to span a corner or traverse a gap, corner, or obstacle in a wet location installation area.

Note: Drawings not to scale. Product may differ from examples shown.

## CONNECTION SEQUENCE

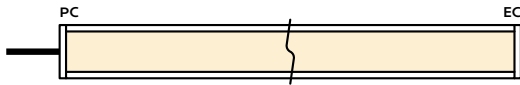


- Specifying a layout is not required to place an order.
- Configuration code applies to full length ordered and will be built per the Continuous Run models on Design Guidelines.
- Connector type subject to change based on availability and listing. Refer to Design Guidelines for details.

## HOW TO SPECIFY CONFIGURATIONS

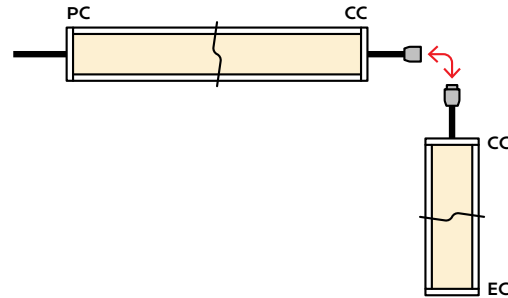
### Example: 20' Straight Run

- 1x A1-ZAKY-CRN-CL-2W-10V-35K-DRY-NA-20'-PC-EC



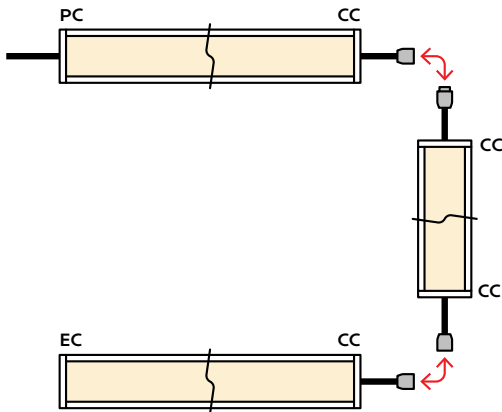
### Example: 25' L-Shaped Run

- 1x A1-ZAKY-CRN-CL-2W-10V-35K-WET-NA-12'-PC-CC
- 1x A1-ZAKY-CRN-CL-2W-10V-35K-WET-NA-13'-CC-EC



### Example: 30' U-Shaped Run

- 1x A1-ZAKY-CRN-CL-2W-10V-35K-DRY-NA-6'-PC-CC
- 1x A1-ZAKY-CRN-CL-2W-10V-35K-DRY-NA-18'-CC-CC
- 1x A1-ZAKY-CRN-CL-2W-10V-35K-DRY-NA-6'-CC-EC



### Example: 28' Rectangle Shaped Run

- 1x A1-ZAKY-CRN-CL-2W-10V-35K-WET-NA-11'-PC-CC
- 1x A1-ZAKY-CRN-CL-2W-10V-35K-WET-NA-3'-CC-CC
- 1x A1-ZAKY-CRN-CL-2W-10V-35K-WET-NA-11'-CC-CC
- 1x A1-ZAKY-CRN-CL-2W-10V-35K-WET-NA-3'-CC-EC

