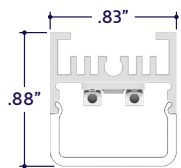
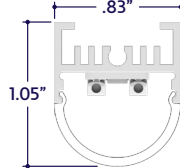


END VIEWS / DIMENSIONS

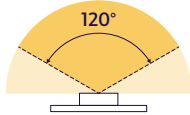


Clear Lens Square (CLS)
50% Semi-Frosted Lens Square (SFS)
100% Frosted Lens Square (FS)



Clear Lens Round (CLR)
50% Semi-Frosted Lens Round (SFR)
100% Frosted Lens Round (FR)

BEAM ANGLE



120° x 120° Beam

LENS / OPTICS APPEARANCE



Clear Lens (CLR, CLS)
Visible Diode Image
0% Light Loss



50% Semi-Frosted Lens (SFR, SFS)
Slight Diode Image
12.5% Light Loss



100% Frosted Lens (FR, FS)
No Diode Image: Line of Light
25% Light Loss

SPECIFY PRODUCT CODE | CHOOSE FROM DROP DOWNS

Series	Lens	Watts per Foot	Dimming	BIOS LED	Listing	Finish	Luminaire Voltage ⁶	Luminaire Length
A3-ZITO-PND-BIOS								UNV
ZITO Pendant BIOS Illuminated (A3-ZITO-PND-BIOS)	Clear Lens Square (CLS)	1.5 Watts (1.5W) 232 Lumens / ft* ¹	0-10V (10V)	BIOS Biological Static: 3500K Daytime* ² (BS-35K)	Indoor (DRY)	Natural Silver* ⁵ (NA)	120 - 277V Line Voltage (UNV)	Specify Length in Feet & Inches Example: 7'8"
	Clear Lens Round (CLR)	2 Watts (2W) 310 Lumens / ft* ¹						
	50% Semi-Frosted Lens Square (SFS)	3 Watts (3W) 465 Lumens / ft* ¹	DALI (DALI)	BIOS Biological Dynamic: 3500K Daytime - 3000K Evening* ³ (BD-35K-30K)	Outdoor (DAMP)	Polished (PA)	White (WH)	
	50% Semi-Frosted Lens Round (SFR)	4 Watts (4W) 620 Lumens / ft* ¹						
	100% Frosted Lens Square: Line of Light (FS)	5 Watts (5W) 775 Lumens / ft* ¹	DMX-512 (DMX)	BIOS Biological Tunable: 3500K Daytime - 2700K Evening* ⁴ (BT-35K-27K)		Satin / Silver (SA)		
		6 Watts (6W) 930 Lumens / ft* ¹						
100% Frosted Lens Round: Line of Light (FR)	8 Watts (8W) 1240 Lumens / ft* ¹				Black (BK)			
	10 Watts (10W) 1550 Lumens / ft* ¹							
	12 Watts (12W) 1860 Lumens / ft* ¹							

*¹ Lumens per Foot based on 35K CCT LED. Example: 155 Lumens x 10 Watts = 1550 Initial Lumens per Foot.

*² BIOS Biological Static available in standard 3500K Daytime CCT. Consult factory for other color temperature options.

*³ BIOS Biological Dynamic available in standard 3500K Daytime - 3000K Evening CCT gamut. Consult factory for other color temperature options.

*⁴ BIOS Biological Tunable available in standard 3500K Daytime - 2700K Evening CCT gamut. Consult factory for other color temperature options.

*⁵ Standard Finish is Natural Silver (NA) if left blank.

*⁶ Remote drivers wattage sized based on length of run. Example: 6' run x 10 watts per foot = 60 watts. Driver will be sized to 60 watts maximum.

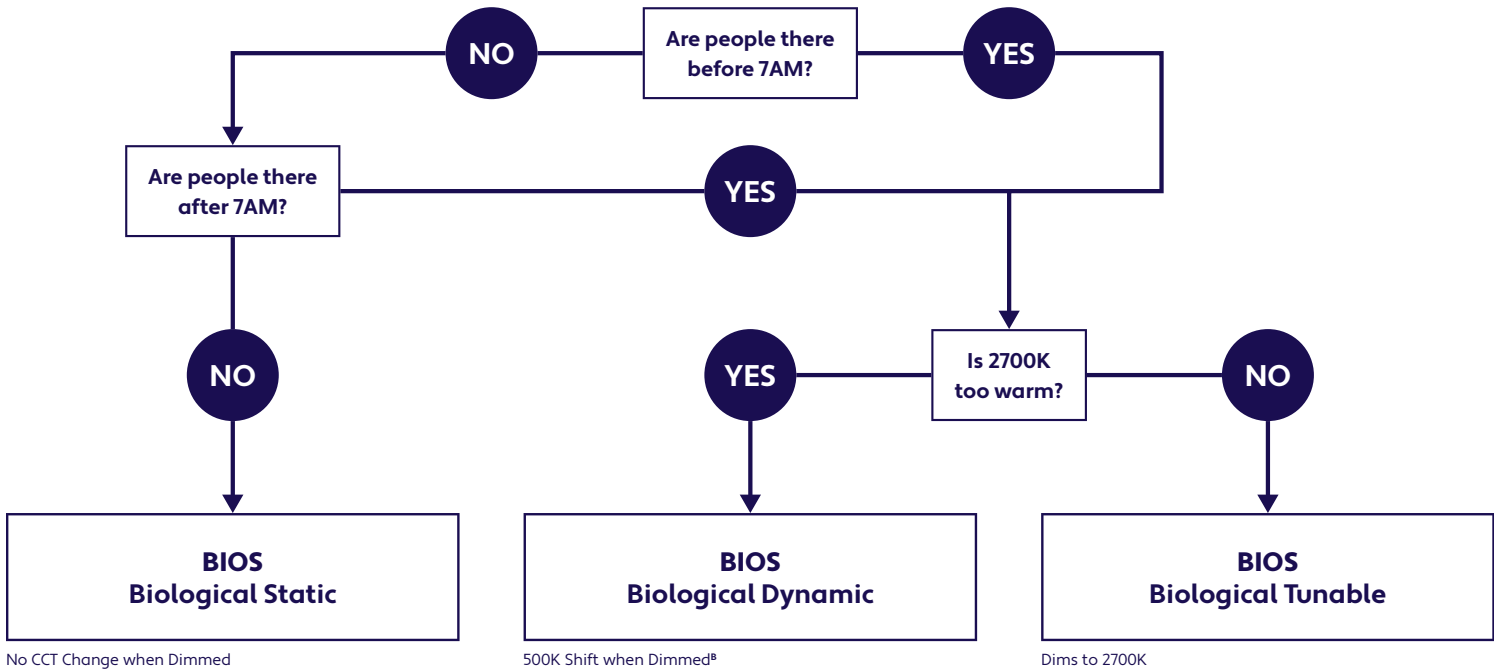
DELIVERED MELANOPIC RATIOS

BIOS Solution / Nominal CCT / Product Code	Spectral Mode	CRI	R9	Daytime Spectrum Melanopic Ratio* (M/P)	
				m-EER	m-DER
BIOS Biological Static: 3500K Daytime (BIOS-BS-35K)	Daytime Solution	80+	> 90	≥ 0.80	≥ 0.72
BIOS Biological Dynamic: 3500K Daytime - 3000K Evening (BIOS-BD-35K-30K)	Daytime + Evening Solution	80+	> 90	≥ 0.70	≥ 0.63
BIOS Biological Tunable: 3500K Daytime - 2700K Evening (BIOS-BT-35K-27K)	Daytime + Evening Solution	80+	> 90	≥ 0.80	≥ 0.72

*Melanopic ratios are provided in two forms: (m-EER) which is calculated using the WELL v2 methodology and the corresponding CIE melanopic Daylight Equivalent Ratio, (m-DER).

CHOOSING YOUR BIOS SOLUTION

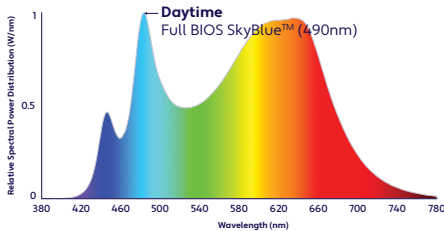
ALUZ offers four different BIOS Circadian LED Solutions – Biological Static, Biological Dynamic, and Biological Tunable White. Use the decision tree below to identify when and where to use BIOS Wellness LED Lighting Solutions .



No CCT Change when Dimmed

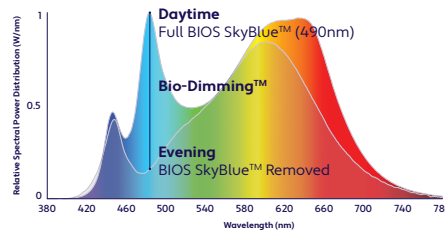
500K Shift when Dimmed^B

Dims to 2700K



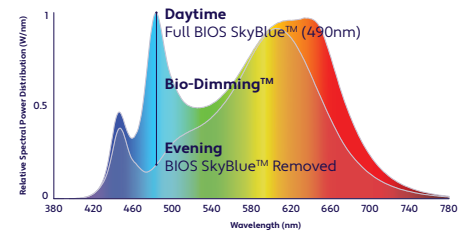
Daytime Solution
(Offices, Medical / Dental Offices)

Spaces in operation during daytime hours, between 7AM and 7PM.



Daytime + Evening Solution
(Hospitals)

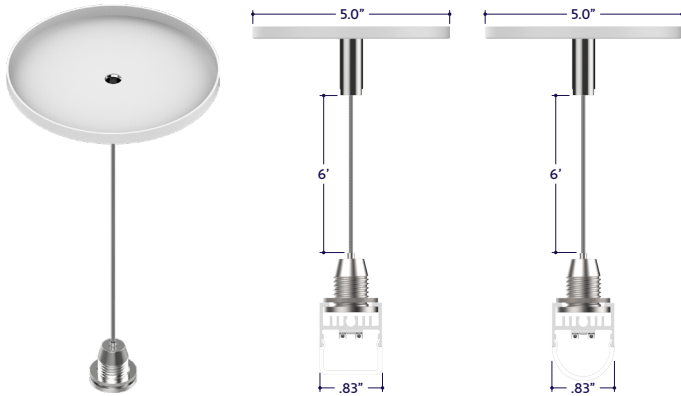
Spaces in operation overnight, after 7PM and before 7AM. CCT color shift in the evening not preferred.
(^B3000K dims to 2700K)



Daytime + Evening Solution
(Offices, Shiftwork)

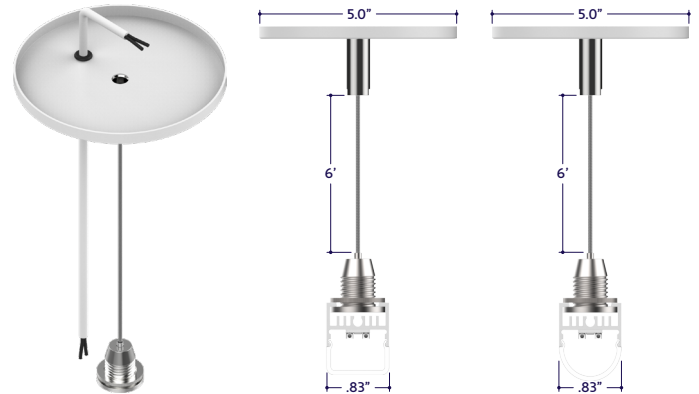
Spaces in operation overnight, after 7PM and before 7AM and people do not sleep there. CCT color shift in the evening not preferred.

MOUNTING OPTIONS & CONNECTORS (Sold Separately)



Part #	Qty.
A3-ZITO-PND-PM-6'	

Note: Use 2 Pendant Mount Assemblies per luminaire segment. Factory assembled to each length. Click on image to see cut sheet for additional details.



Part #	Qty.
A3-ZITO-PND-PM-PC-WH-6'	
A3-ZITO-PND-PM-PC-BK-6'	

Note: Use 1 Pendant Mount Assemblies per luminaire segment. Factory assembled to each length. Click on image to see cut sheet for additional details.



Pendant Mount Canopy
(A3-ZITO-CN-X) X = Specify Finish, White (WH) or Black (BK)
Default finish is White (WH) if left blank.

Part #	Qty.
A3-ZITO-CN-WH	
A3-ZITO-CN-BK	

Note: Use 1 canopy with each Pendant Mount Assembly.



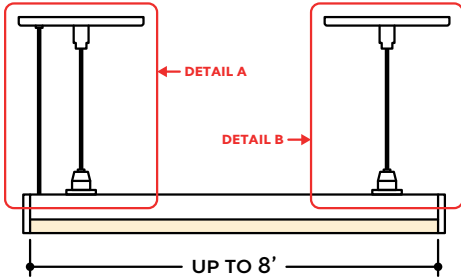
180° Lock Bar
(A3-ZITO-PND-LB-180D)

Part #	Qty.
A3-ZITO-LB-180D	

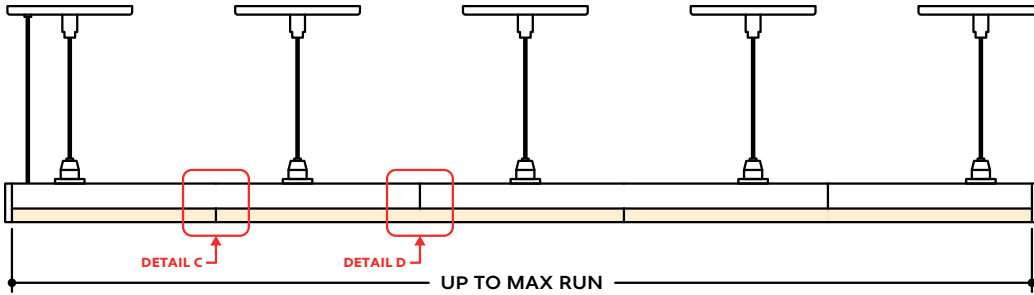
Note: Use 1 lock bar for each connection between fixture segments.

DESIGN GUIDELINES

Individual Fixture



Continuous Run (Dry or Wet Location)



KEY

- Detail A** **Suspension System with Power:** The power exits through the back of the fixture, and feeds through the canopy to a junction box.
- Detail B** **Suspension System:** Aircraft cables are used to suspend the extrusion in place.
- Detail C** **Two Lenses Meet:** Lenses are staggered so that the lens always overlaps where two extrusion segments meet. Refer to installation instructions for additional details.
- Detail D** **Two Extrusions Meet:** Two extrusion segments meet, held together by a mounting clip. Refer to installation instructions for additional details.

Note: Drawings not to scale. Product may differ from examples shown.