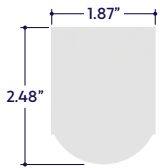


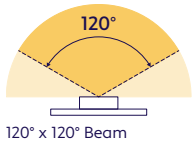
GENERAL FEATURES

| | |
|----------------------------|---|
| Applications | Direct Lighting |
| Lens | 100% Frosted (No Pixelation: Line of Light) |
| Length | Standard Lengths: 4' and 8' (Seamless lengths possible with A3-ZONY-RND-SL-CC) See Length Restrictions Table for details |
| Construction | Aluminum Extrusion |
| Weight | 1.32 lbs per foot |
| Mounting | Aircraft Cable |
| Listing | Dry Location UL1598, CSA C22.2#250.0 UL8750, CSA250 UL2108, 67.1.9, 60.4, CSA C22.2 #9 |
| Driver | Integral (Driver on Board) |
| Temperature Ratings | Operating / Startup: -20° to 48°C (-4° to 120°F) Storage: -40° to 76°C (-40° to 170°F) |
| Installation Link | |

END VIEWS / DIMENSIONS



BEAM ANGLES



ELECTRICAL

| | |
|--------------------------|-------------------|
| Dimming | 0-10V, DMX, DALI |
| Luminaire Voltage | 120V - 277V (UNV) |

MINIMUM & MAXIMUM RUNS

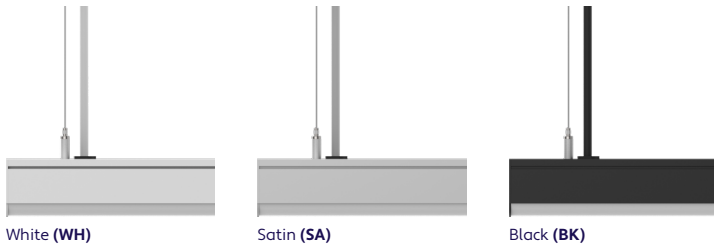
| Wattage | 1.5W | 2W | 3W | 4W | 5W | 6W | 8W | 10W | 12W |
|-------------------------------------|------|-----|-----|-----|-----|----|----|-----|-----|
| 0-10V & DALI Minimum Run | 4' | 3' | 2' | 2' | 2' | 1' | 1' | 1' | 1' |
| 0-10V & DALI Maximum Run | 39' | 27' | 19' | 14' | 11' | 9' | 7' | 6' | 5' |
| DMX Minimum Run | 4' | 3' | 2' | 2' | 2' | 1' | 1' | 1' | 1' |
| DMX Maximum Run | 26' | 18' | 13' | 9' | 8' | 6' | 4' | 4' | 3' |

SPECIFY PRODUCT CODE | CHOOSE FROM DROP DOWNS

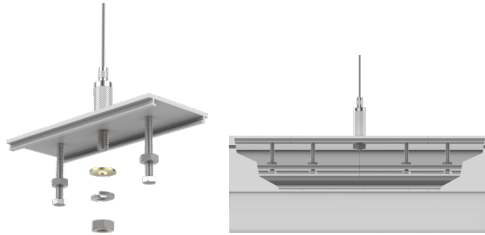
| Series | Finish | Power Connector Finish ¹ | Aircraft Cable Length | BIOS LED | Watts per Foot | Dimming | Listing | Luminaire Voltage ⁶ | Luminaire Length ⁷ |
|--|--------------------------|-------------------------------------|------------------------|---|---|---------------|--------------|--------------------------------|--|
| A3-ZONY-RND-BIOS | | | 6' | | | | DRY | UNV | |
| ZONY Round BIOS Illuminated (A3-ZONY-RND-BIOS) | White (WH) | White (WH) | 6' Aircraft Cable (6') | BIOS Biological Static: 3500K Daytime* ² (BS-35K) | 1.5 Watts (1.5W) 232 Lumens / ft* ⁵ 2 Watts (2W) 310 Lumens / ft* ⁵ | 0-10V (10V) | Indoor (DRY) | 120 - 277V Line Voltage (UNV) | Specify Length in Feet & Inches Example: 7'8" |
| | Satin (SA) | Satin (SA) | | | 3 Watts (3W) 465 Lumens / ft* ⁵ 4 Watts (4W) 620 Lumens / ft* ⁵ | DALI (DALI) | | | |
| | Black* ³ (BK) | Black (BK) | | BIOS Biological Dynamic: 3000K Daytime - 2700K Evening* ³ (BD-35K-30K) | 5 Watts (5W) 775 Lumens / ft* ⁵ 6 Watts (6W) 930 Lumens / ft* ⁵ | DMX-512 (DMX) | | | |
| | | | | BIOS Biological Tunable: 3500K Daytime - 2700K Evening* ⁴ (BT-35K-27K) | 8 Watts (8W) 1240 Lumens / ft* ⁵ 10 Watts (10W) 1550 Lumens / ft* ⁵ 12 Watts (12W) 1860 Lumens / ft* ⁵ | | | | |

¹ Standard Power Connector Finish: Black (BK) if left blank.
² BIOS Biological Static available in standard 3500K Daytime CCT. Consult factory for other color temperature options.
³ BIOS Biological Dynamic available in standard 3500K Daytime - 3000K Evening CCT gamut. Consult factory for other color temperature options.
⁴ BIOS Biological Tunable available in standard 3500K Daytime - 2700K Evening CCT gamut. Consult factory for other color temperature options.
⁵ Lumens per Foot based on 35K CCT LED. Example: 155 Lumens x 10 Watts = 1550 Initial Lumens per Foot.
⁶ Integral drivers wattage sized based on length of run. Example: 3' run x 10 watts per foot = 30 watts. Driver will be sized to 30 watts maximum.
⁷ End Caps add 0.12" to overall length of luminaire.

POWER CONNECTOR FINISHES



MOUNTING ACCESSORIES (Sold Separately)



Continuous Connection System
(A3-ZONY-RND-SL-CC)

| Part # | Qty. |
|-------------------|------|
| A3-ZONY-RND-SL-CC | |

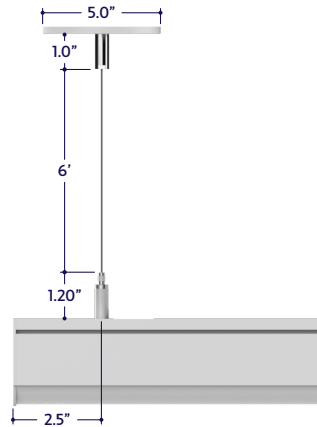


Pendant Mount Canopy
(A3-ZONY-CN-X) X = Specify Finish, White (WH) or Black (BK)
Default finish is White (WH) if left blank.

| Part # | Qty. |
|---------------|------|
| A3-ZONY-CN-WH | |
| A3-ZONY-CN-BK | |

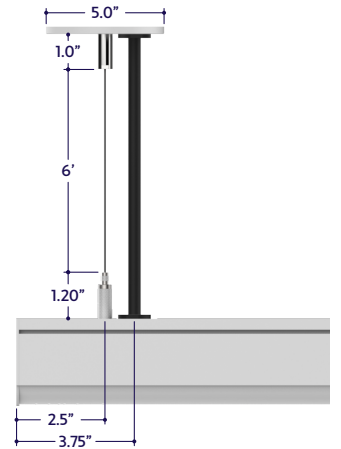
Note: Use 1 canopy with each Aircraft Cable Assembly.

AIRCRAFT CABLE LENGTHS / ASSEMBLED DIMENSIONS



Aircraft Cable Assembly
(Shown with Canopy - Sold Separately)
(A3-ZONY-RND-BIOS-AC-6')

| Part # | Qty. |
|------------------------|------|
| A3-ZONY-RND-BIOS-AC-6' | |



Aircraft Cable Assembly w/ Power Connector
(Shown with Canopy - Sold Separately)
(A3-ZONY-RND-BIOS-AC-PC-6')

| Part # | Qty. |
|---------------------------|------|
| A3-ZONY-RND-BIOS-AC-PC-6' | |

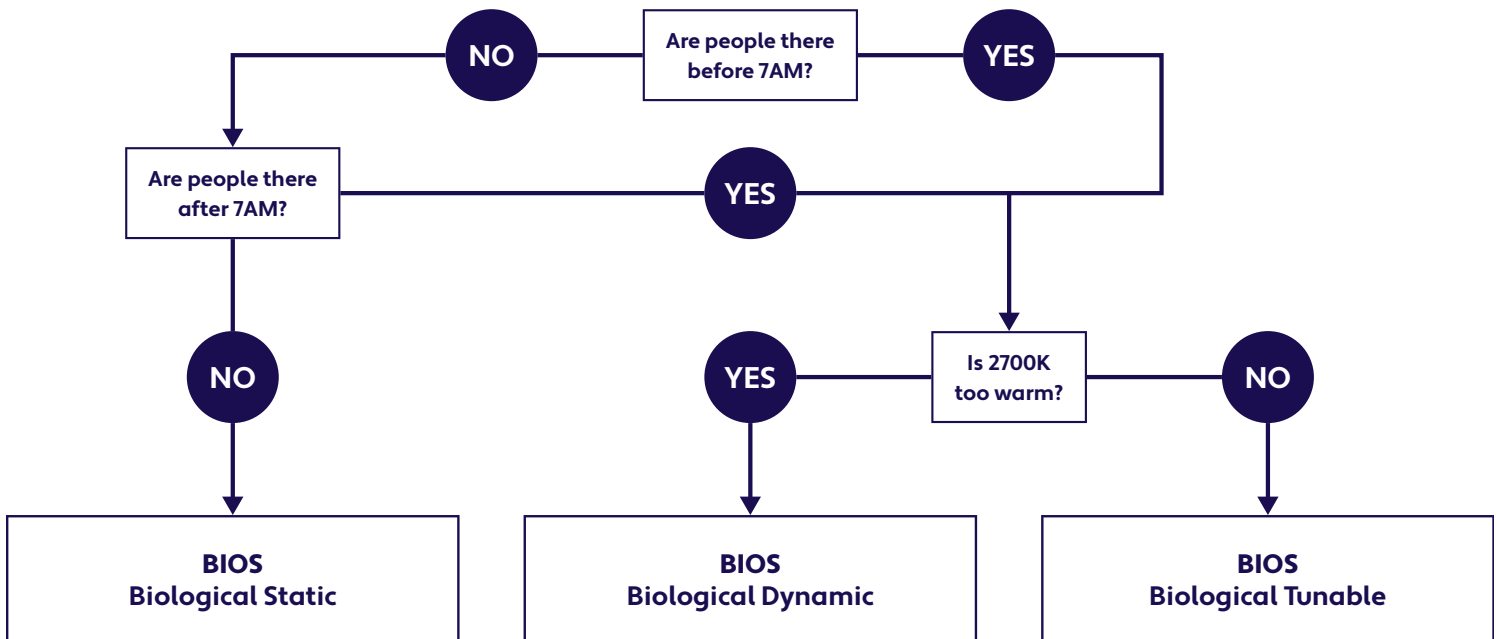
DELIVERED MELANOPIC RATIOS

| BIOS Solution / Nominal CCT / Product Code | Spectral Mode | CRI | R9 | Daytime Spectrum Melanopic Ratio* (M/P) | |
|--|----------------------------|-----|------|---|--------|
| | | | | m-EER | m-DER |
| BIOS Biological Static: 3500K Daytime (BIOS-BS-35K) | Daytime Solution | 80+ | > 90 | ≥ 0.80 | ≥ 0.72 |
| BIOS Biological Dynamic: 3500K Daytime - 3000K Evening (BIOS-BD-35K-30K) | Daytime + Evening Solution | 80+ | > 90 | ≥ 0.70 | ≥ 0.63 |
| BIOS Biological Tunable: 3500K Daytime - 2700K Evening (BIOS-BT-35K-27K) | Daytime + Evening Solution | 80+ | > 90 | ≥ 0.80 | ≥ 0.72 |

*Melanopic ratios are provided in two forms: (m-EER) which is calculated using the WELL v2 methodology and the corresponding CIE melanopic Daylight Equivalent Ratio, (m-DER).

CHOOSING YOUR BIOS SOLUTION

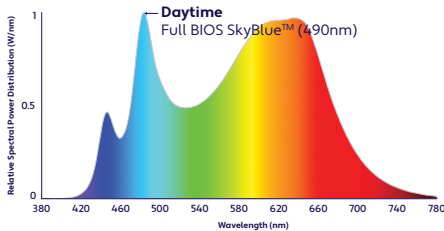
ALUZ offers four different BIOS Circadian LED Solutions – Biological Static, Biological Dynamic, and Biological Tunable White. Use the decision tree below to identify when and where to use BIOS Wellness LED Lighting Solutions .



No CCT Change when Dimmed

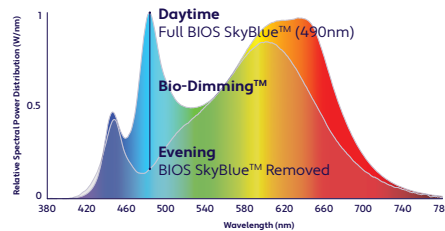
500K Shift when Dimmed^B

Dims to 2700K



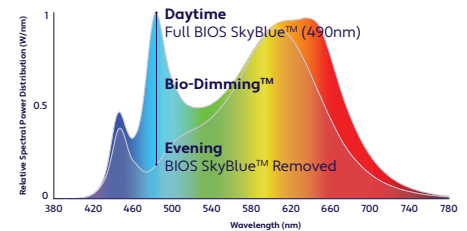
Daytime Solution
(Offices, Medical / Dental Offices)

Spaces in operation during daytime hours, between 7AM and 7PM.



Daytime + Evening Solution
(Hospitals)

Spaces in operation overnight, after 7PM and before 7AM. CCT color shift in the evening not preferred.
(^B3000K dims to 2700K)

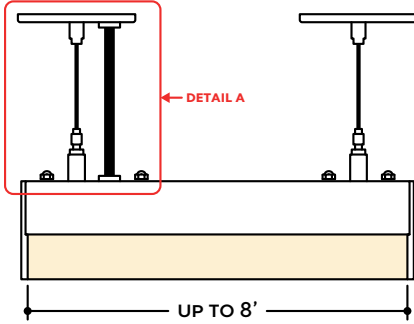


Daytime + Evening Solution
(Offices, Shiftwork)

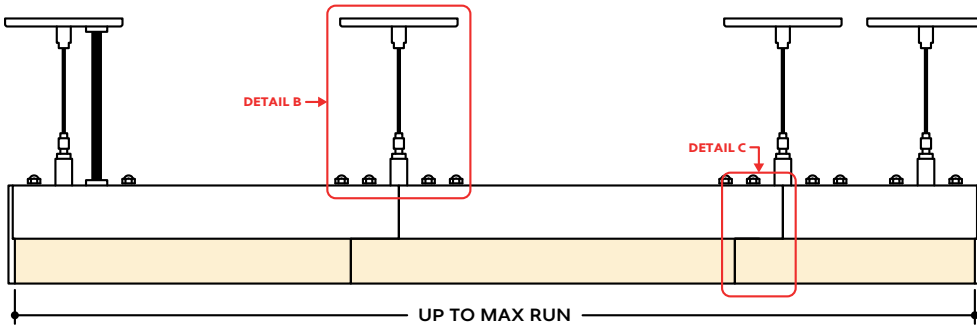
Spaces in operation overnight, after 7PM and before 7AM and people do not sleep there. CCT color shift in the evening not preferred.

DESIGN GUIDELINES

Individual Fixture



Continuous Run



KEY

- Detail A** **Canopy with Power Connector:** Power is fed to each run via power connector that drops from the canopy into the first luminaire segment of the run.
- Detail B** **Continuous Connection:** Luminaire segments are connected using the Continuous Connection System. See accessories page for details.
- Detail C** **Staggered Lens:** The lens is staggered so that it always overlaps where two luminaire segments meet to prevent light leaks.

Note: Drawings not to scale. Product may differ from examples shown.