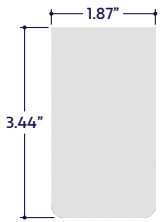


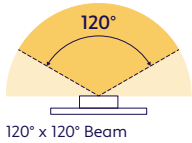
### GENERAL FEATURES

<b>Applications</b>	Direct Lighting
<b>Lens</b>	100% Frosted (No Pixelation: Line of Light)
<b>Length<sup>1</sup></b>	Standard Lengths: 4' and 8' (Seamless lengths possible with A3-ZONY-SQR-SL-CC) See <b>Length Restrictions</b> Table for details
<b>Construction</b>	Aluminum Extrusion
<b>Weight</b>	1.32 lbs per foot
<b>Mounting</b>	Aircraft Cable
<b>Listing</b>	Dry Location UL1598, CSA C22.2#250.0 UL8750, CSA250 UL2108, 67.1.9, 60.4, CSA C22.2 #9
<b>Driver</b>	Integral (Driver on Board)
<b>Temperature Ratings</b>	Operating / Startup: -20° to 48°C (-4° to 120°F) Storage: -40° to 76°C (-40° to 170°F)
<b>Installation Link</b>	

### END VIEWS / DIMENSIONS



### BEAM ANGLES



### ELECTRICAL

<b>Dimming</b>	0-10V, DMX, DALI
<b>Luminaire Voltage</b>	120V - 277V (UNV)

### MINIMUM & MAXIMUM RUNS

Wattage	1.5W	2W	3W	4W	5W	6W	8W	10W	12W
<b>0-10V &amp; DALI Minimum Run</b>	4'	3'	2'	2'	2'	1'	1'	1'	1'
<b>0-10V &amp; DALI Maximum Run</b>	39'	27'	19'	14'	11'	9'	7'	6'	5'
<b>DMX Minimum Run</b>	4'	3'	2'	2'	2'	1'	1'	1'	1'
<b>DMX Maximum Run</b>	26'	18'	13'	9'	8'	6'	4'	4'	3'

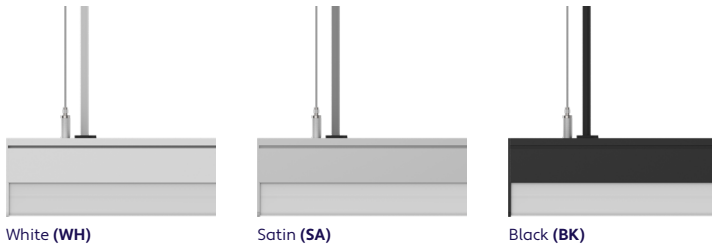
### SPECIFY PRODUCT CODE | CHOOSE FROM DROP DOWNS

Series	Finish	Power Connector Finish <sup>1</sup>	Aircraft Cable Length	BIOS LED	Watts per Foot	Dimming	Listing	Luminaire Voltage <sup>6</sup>	Luminaire Length <sup>7</sup>
<b>A3-ZONY-SQR-BIOS</b>			<b>6'</b>				<b>DRY</b>	<b>UNV</b>	
ZONY Square BIOS Illuminated (A3-ZONY-SQR-BIOS)	White (WH)	White (WH)	6' Aircraft Cable (6')	BIOS Biological Static: 3500K Daytime* <sup>2</sup> (BS-35K)	1.5 Watts (1.5W) 232 Lumens / ft* <sup>5</sup> 2 Watts (2W) 310 Lumens / ft* <sup>5</sup> 3 Watts (3W) 465 Lumens / ft* <sup>5</sup> 4 Watts (4W) 620 Lumens / ft* <sup>5</sup>	0-10V (10V)  DALI (DALI)	Indoor (DRY)	120 - 277V Line Voltage (UNV)	Specify Length in Feet & Inches Example: 7'8"
	Satin (SA)	Satin (SA)		BIOS Biological Dynamic: 3500K Daytime - 3000K Evening* <sup>3</sup> (BD-35K-30K)	5 Watts (5W) 775 Lumens / ft* <sup>5</sup> 6 Watts (6W) 930 Lumens / ft* <sup>5</sup>	DMX-512 (DMX)			
	Black* <sup>1</sup> (BK)	Black (BK)		BIOS Biological Tunable: 3500K Daytime - 2700K Evening* <sup>4</sup> (BT-35K-27K)	8 Watts (8W) 1240 Lumens / ft* <sup>5</sup> 10 Watts (10W) 1550 Lumens / ft* <sup>5</sup> 12 Watts (12W) 1860 Lumens / ft* <sup>5</sup>				

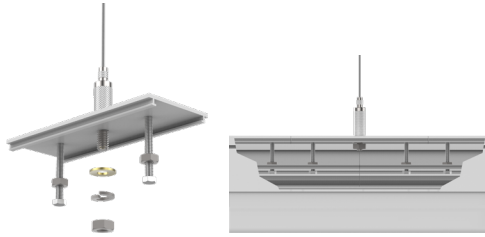
<sup>1</sup> Standard Power Connector Finish: Black (BK) if left blank.  
<sup>2</sup> BIOS Biological Static available in standard 3500K Daytime CCT. Consult factory for other color temperature options.  
<sup>3</sup> BIOS Biological Dynamic available in standard 3500K Daytime - 3000K Evening CCT gamut. Consult factory for other color temperature options.  
<sup>4</sup> BIOS Biological Tunable available in standard 3500K Daytime - 2700K Evening CCT gamut. Consult factory for other color temperature options.  
<sup>5</sup> Lumens per Foot based on 35K CCT LED. **Example:** 155 Lumens x 10 Watts = 1550 Initial Lumens per Foot.  
<sup>6</sup> Integral drivers wattage sized based on length of run. **Example:** 3' run x 10 watts per foot = 30 watts. Driver will be sized to 30 watts maximum.  
<sup>7</sup> End Caps add 0.12" to overall length of luminaire.



### POWER CONNECTOR FINISHES



### MOUNTING ACCESSORIES (Sold Separately)



Continuous Connection System  
(A3-ZONY-RND-SL-CC)

Part #	Qty.
A3-ZONY-RND-SL-CC	

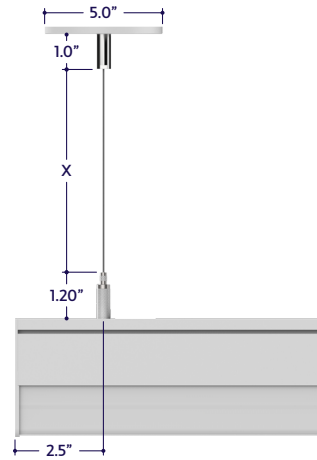


Pendant Mount Canopy  
(A3-ZONY-CN-X) X = Specify Finish, White (WH) or Black (BK)  
Default finish is White (WH) if left blank.

Part #	Qty.
A3-ZONY-CN-WH	
A3-ZONY-CN-BK	

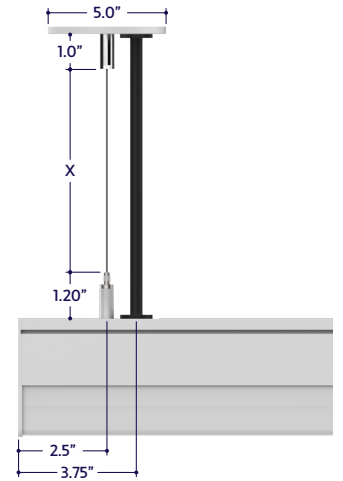
Note: Use 1 canopy with each Aircraft Cable Assembly.

### AIRCRAFT CABLE LENGTHS / ASSEMBLED DIMENSIONS



Aircraft Cable Assembly  
(Shown with Canopy - Sold Separately)  
(A3-ZONY-SQR-BIOS-AC-6')

Part #	Qty.
A3-ZONY-SQR-BIOS-AC-6'	



Aircraft Cable Assembly w/ Power Connector  
(Shown with Canopy - Sold Separately)  
(A3-ZONY-SQR-BIOS-AC-PC-6')

Part #	Qty.
A3-ZONY-SQR-BIOS-AC-PC-6'	

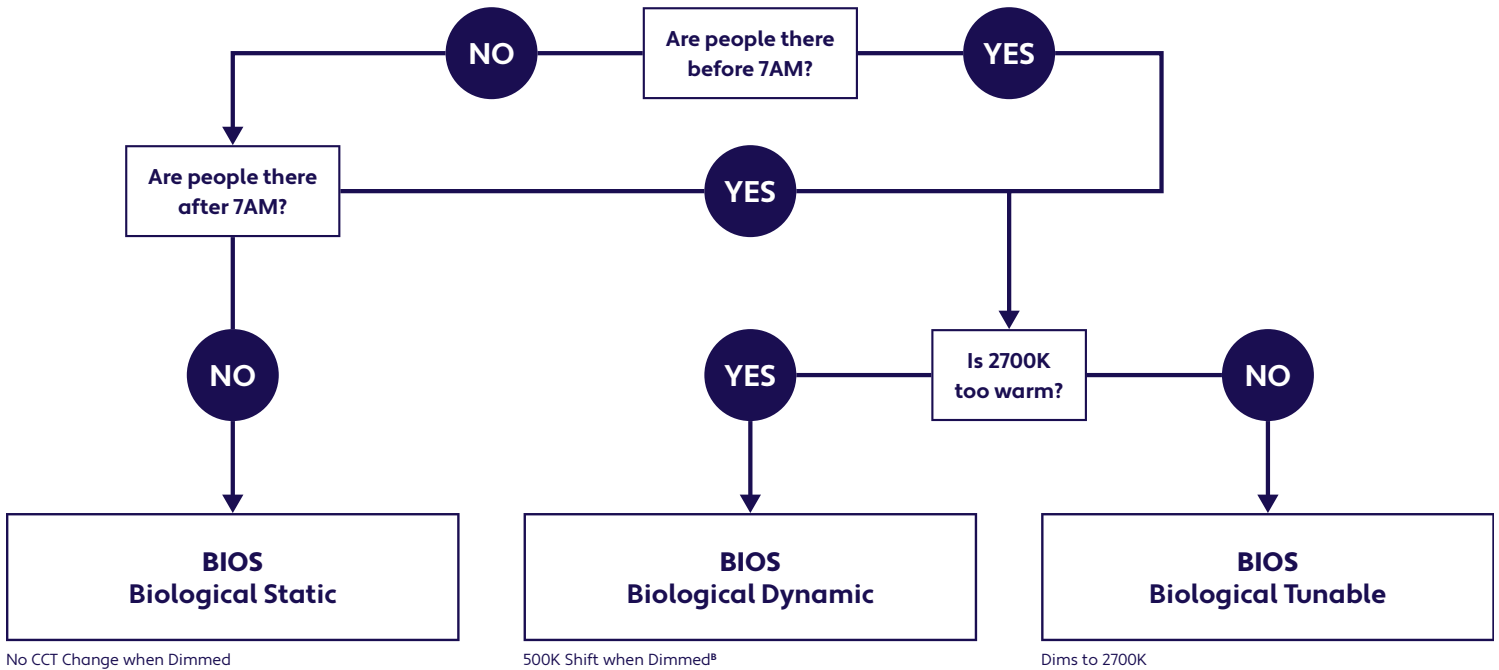
### DELIVERED MELANOPIC RATIOS

BIOS Solution / Nominal CCT / Product Code	Spectral Mode	CRI	R9	Daytime Spectrum Melanopic Ratio* (M/P)	
				m-EER	m-DER
BIOS Biological Static: 3500K Daytime (BIOS-BS-35K)	Daytime Solution	80+	> 90	≥ 0.80	≥ 0.72
BIOS Biological Dynamic: 3500K Daytime - 3000K Evening (BIOS-BD-35K-30K)	Daytime + Evening Solution	80+	> 90	≥ 0.70	≥ 0.63
BIOS Biological Tunable: 3500K Daytime - 2700K Evening (BIOS-BT-35K-27K)	Daytime + Evening Solution	80+	> 90	≥ 0.80	≥ 0.72

\*Melanopic ratios are provided in two forms: (m-EER) which is calculated using the WELL v2 methodology and the corresponding CIE melanopic Daylight Equivalent Ratio, (m-DER).

### CHOOSING YOUR BIOS SOLUTION

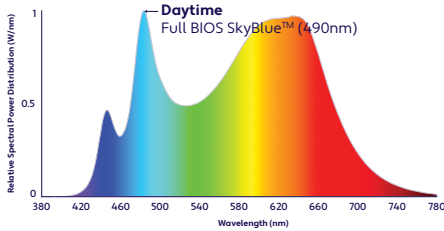
ALUZ offers four different BIOS Circadian LED Solutions – Biological Static, Biological Dynamic, and Biological Tunable White. Use the decision tree below to identify when and where to use BIOS Wellness LED Lighting Solutions .



No CCT Change when Dimmed

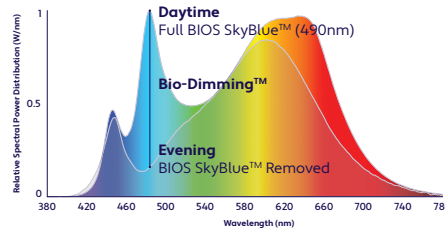
500K Shift when Dimmed<sup>B</sup>

Dims to 2700K



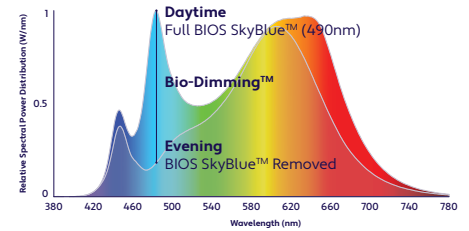
**Daytime Solution**  
(Offices, Medical / Dental Offices)

Spaces in operation during daytime hours, between 7AM and 7PM.



**Daytime + Evening Solution**  
(Hospitals)

Spaces in operation overnight, after 7PM and before 7AM. CCT color shift in the evening not preferred.  
(<sup>B</sup>3000K dims to 2700K)

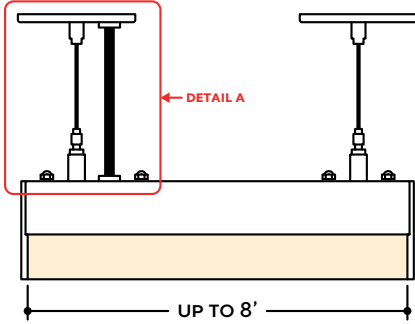


**Daytime + Evening Solution**  
(Offices, Shiftwork)

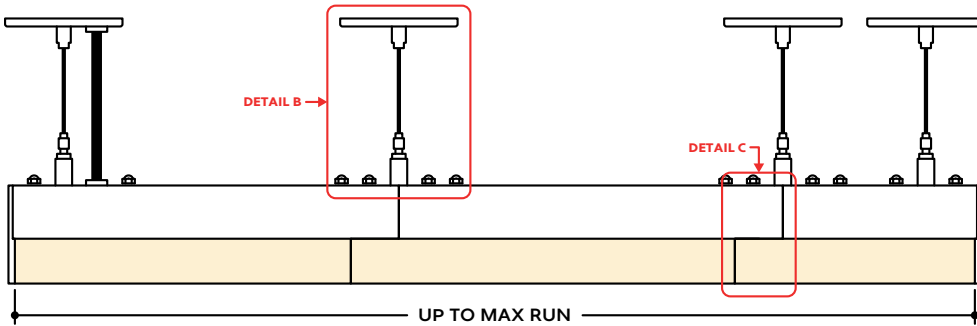
Spaces in operation overnight, after 7PM and before 7AM and people do not sleep there. CCT color shift in the evening not preferred.

## DESIGN GUIDELINES

### Individual Fixture



### Continuous Run



## KEY

- Detail A** **Canopy with Power Connector:** Power is fed to each run via power connector that drops from the canopy into the first luminaire segment of the run.
- Detail B** **Continuous Connection:** Luminaire segments are connected using the Continuous Connection System. See accessories page for details.
- Detail C** **Staggered Lens:** The lens is staggered so that it always overlaps where two luminaire segments meet to prevent light leaks.

**Note:** Drawings not to scale. Product may differ from examples shown.