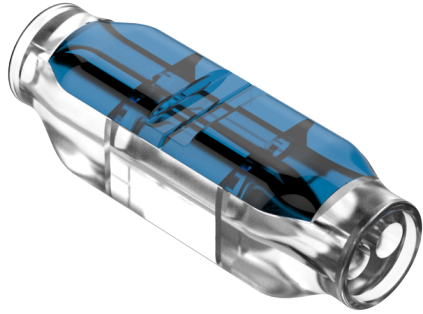
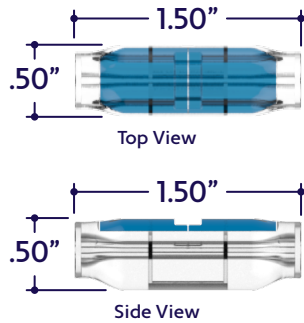


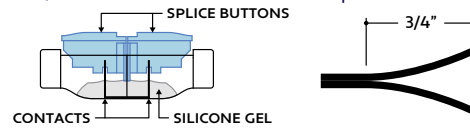
Perspective View



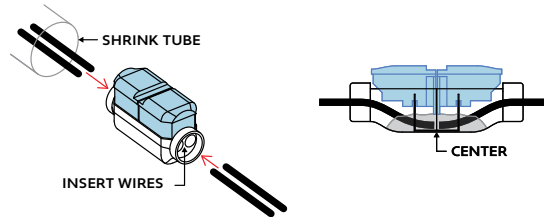
Dimensions



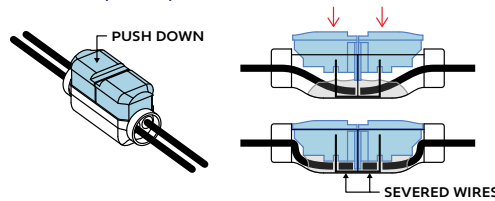
- Slide shrink tube over wires and connector. Part wires 3/4" for insertion into the wet splice connector.



- Push wires into connector until they stop at the center point. Repeat process for the other side.
Note: The positive wire (+) has a ribbed wire jacket, the negative wire (-) has a smooth wire jacket.

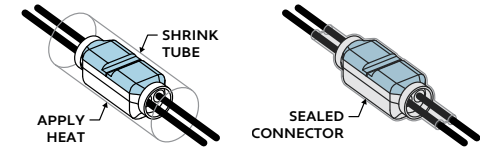


- Use pliers to push splice buttons down completely until they sever the wire and snap into place.



A1 Series | Surface CONNECTOR Wet Splice Connector (A1-SC-2P-WET)

- Slide shrink tube over connector and apply heat. The shrink tube will shrink down around the connector. Apply silicone around the ends to create a stronger seal.
Note: Do not use an open flame such as a lighter or torch to heat shrink tube.



- Slide shrink tube over wires and connector. Part wires 3/4" for insertion into the wet splice connector.

