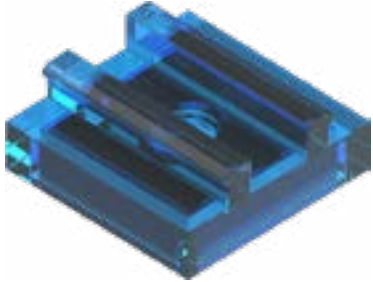
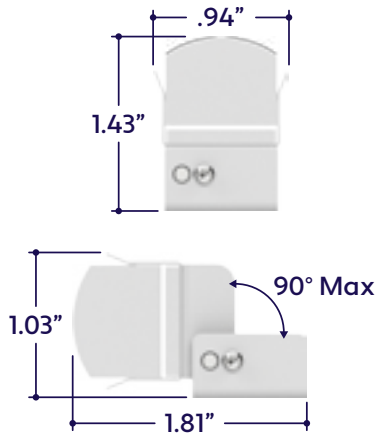




Perspective View

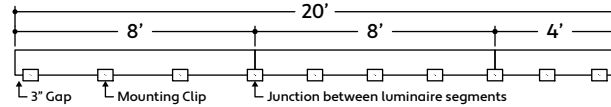


Assembled Dimensions

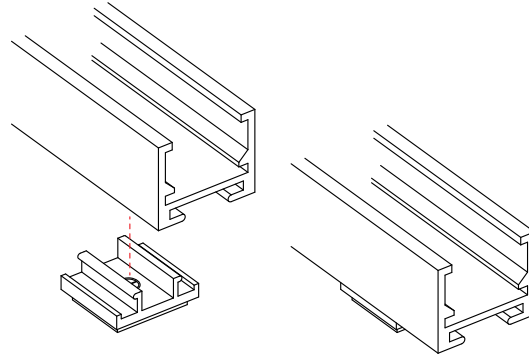


DRY LOCATION APPLICATIONS

- 1 Measure area where luminaire will be installed. Use a laser line to create a reference line along installation area, ensuring consistent alignment of mounting clips. Mark location where each mounting clip will be installed along reference line.
- 2 Use 1 mounting clip every 2', rounded up. Use a minimum of 2 mounting clips per luminaire segment. For vertical applications, create a stopper at the bottom of the run to prevent sliding.
- 3 Use a mounting clip at the junction between two luminaire segments.
Example: 20' Run.



- 4 Snap mounting clips into extrusions according to the diagram above that best suits your application.



- 5 Place extrusions with magnet mounting clips installed onto a ferromagnetic material, ensuring the extrusions are properly aligned.

A1 Series | Surface

ZAKY Standard Frosted - Adjustable Mounting Clip (A1-ZAKY-SFR-MC-ADJ)

WET LOCATION APPLICATIONS

- 1 Measure area where luminaire will be installed. Use a laser line to create a reference line along installation area, ensuring consistent alignment of mounting clips. Mark location where each mounting clip will be installed along reference line.
- 2 Use 1 mounting clip every 2', rounded up. Use a minimum of 2 mounting clips per luminaire segment. For vertical applications, create a stopper at the bottom of the run to prevent sliding.
- 3 Space mounting clips evenly throughout the run.
Example: 20' Run.

