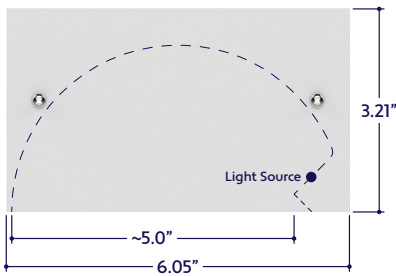




GENERAL FEATURES

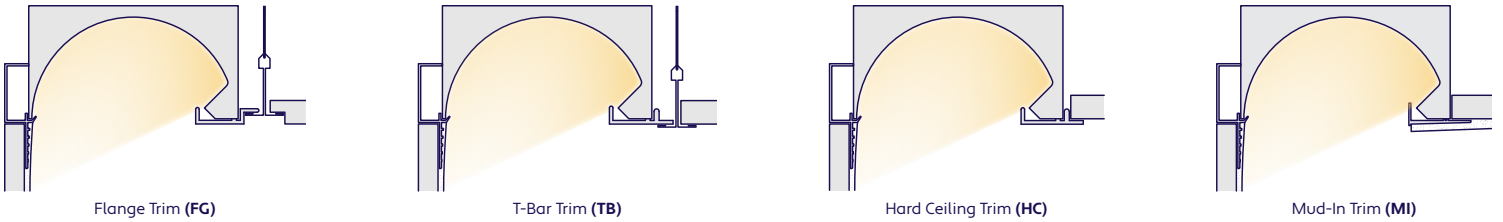
Applications	Indirect Lighting
Lens	Clear
Length	Built to Order (+/- 0.25" Tolerance)
Construction	Aluminum Extrusion
Finish	White
Weight	4.50 lbs per foot
Mounting	Mounting Brackets or Aircraft Cable (Sold Separately)
Listing	Dry or Damp Location UL1598, CSA C22.2#250.0 UL8750, CSA250 UL2108, 67.1.9, 60.4, CSA C22.2 #9
Driver	Driver on Board or Remote Driver
Temperature Ratings	Operating / Startup: -20° to 48°C (-4° to 120°F) Storage: -40° to 76°C (-40° to 170°F)
FG Installation	
TB Installation	
HC Installation	
MI Installation	

END VIEWS / DIMENSIONS



Note: End view dimensions do not include ceiling trims or mounting options. Refer to trim-specific installation instructions for additional details.

MOUNTING OPTIONS



SPECIFY PRODUCT CODE | CHOOSE FROM DROP DOWNS

Series / Ceiling Trim	CCT Gamut		Watts Per Foot	Control Interface	Listing	Luminaire Voltage	Luminaire Length
	Low CCT	High CCT					
UNV							
Flange Ceiling Trim (A2-ZELO-ARC-DWH-FG)	2000K (20K)	3000K (30K)	1.5 Watts (15W) 124 Lumens / ft* ¹	DALI* ² (DALI)	Indoor (DRY)	120 - 277 Volts Line Voltage* ⁴ (UNV)	Specify Length in Feet & Inches Example: 7'8"
	2200K (22K)	3500K (35K)	2 Watts (2W) 166 Lumens / ft* ¹				
T-Bar Ceiling Trim (A2-ZELO-ARC-DWH-TB)	2400K (24K)	4000K (40K)	3 Watts (3W) 249 Lumens / ft* ¹	0-10V: 100% - 1% (10V)	Outdoor (DAMP)		
	2700K (27K)	4500K (45K)	4 Watts (4W) 332 Lumens / ft* ¹				
Hard Ceiling Trim (A2-ZELO-ARC-DWH-HC)	5000K (50K)		5 Watts (5W) 415 Lumens / ft* ¹	DMX-512* ³ (DMX)			
	5500K (55K)		6 Watts (6W) 498 Lumens / ft* ¹				
Mud-In Ceiling Trim (A2-ZELO-ARC-DWH-MI)	6000K (60K)		7 Watts (7W) 581 Lumens / ft* ¹	Casambi Ready (CAS)			
	6500K (65K)						

*¹ Lumens per Foot based on 35K CCT LED. **Example:** 83 Lumens x 1.5 Watts = 124 Lumens per Foot.
*² DALI commissioning to be performed by a third party at time of installation. ALUZ does not provide DALI commissioning.
*³ Default DMX address of each fixture is 001. Consult third party DMX commissioner to modify at time of installation.
*⁴ Remote drivers wattage sized based on length of run. **Example:** 10' run x 6 watts per foot = 60 watts. Driver will be sized to 60 watts maximum.



ELECTRICAL

Dimming	0-10V, Casambi Ready, DMX, DALI
Maximum Run (Class 2 Applications)	36' (1.5W, 2W), 28' (3W), 21' (4W), 17' (5W), 14' (6W), 12' (7W)
Luminaire Voltage	120V - 277V (UNV)

COMPATIBLE CONTROL INTERFACES

- 0-10V
- DALI2
- DMX
- Acuity Controls / nLight
- eldoLED
- Distech Controls
- Legrand
- Wattstopper
- Pass & Seymour
- Leviton
- Crestron / Cresnet / SolarSync
- Eaton
- Tridonic / Bluetooth

LAMP FEATURES

Lamp Type	High Output LEDs (No Mercury)
CRI	> 91
Efficacy	83 Lumens per Watt (Based on 35K CCT LED) 95 Lumens per Watt (Based on 65K CCT LED)

Note: Lumens per Watt based on highest tested CCT value of each gamut. Refer to Photometry data for additional information.

LAMP SPECIFICATIONS

Gamut Range	Description	L70 LED Life
20K - 35K	Dynamic White: 2000 Kelvin - 3500 Kelvin	60,000 hours
27K - 65K	Dynamic White: 2700 Kelvin - 6500 Kelvin	

DRIVERS

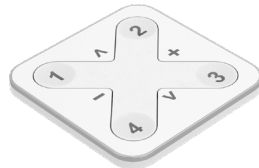
Dimming Selection	Product Code	Link to Specification Sheet / URL
DALI	(DALI)	
0-10V: 100% - 1%	(10V)	
Casambi Ready	(CAS)	
DMX-512	(DMX)	

DYNAMIC WHITE CONTROLS (Sold Separately)



10V Control Switch
(CTRL-DWH-10V)

Part #	Qty.
CTRL-DWH-10V	



Bluetooth Wireless Control Panel
(CTRL-DWH-BT)

Part #	Qty.
CTRL-DWH-BT	



DMX Touch Panel
(CTRL-DWH-DMX)

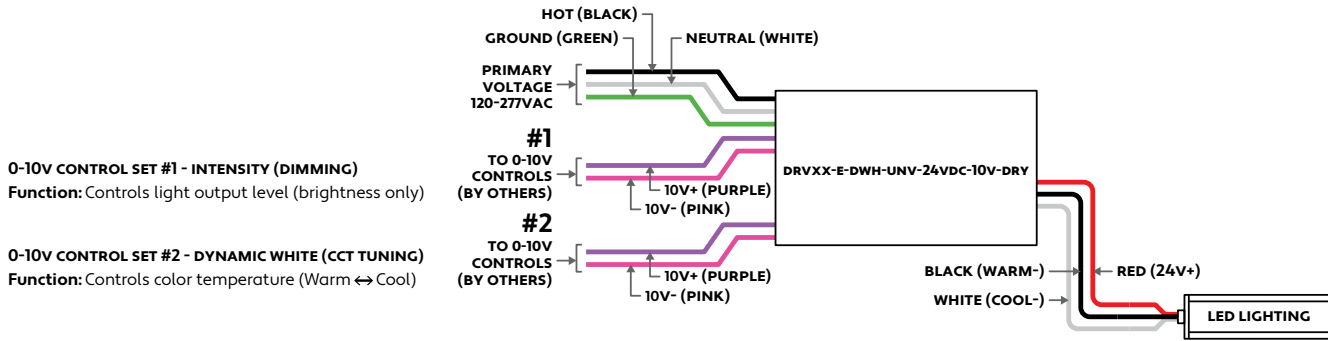
Part #	Qty.
CTRL-DWH-DMX	



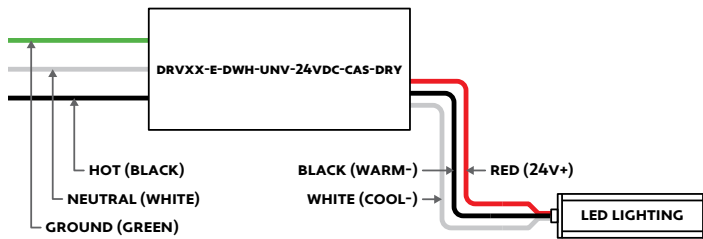
DALI Touch Panel
(CTRL-DWH-DALI)

Part #	Qty.
CTRL-DWH-DALI	

10V DIMMING WIRING DIAGRAM (Sold by others)

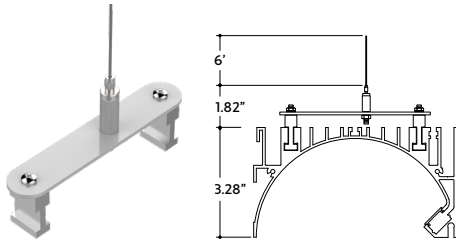


CASAMBI WIRING DIAGRAM





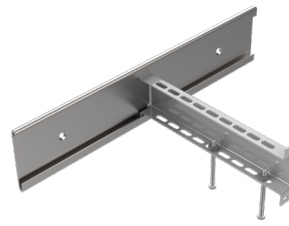
MOUNTING ACCESSORIES (Sold Separately)



Aircraft Cable Assembly
(A2-ZELO-ARC-AC-6')

Part #	Qty.
A2-ZELO-ARC-AC-6'	

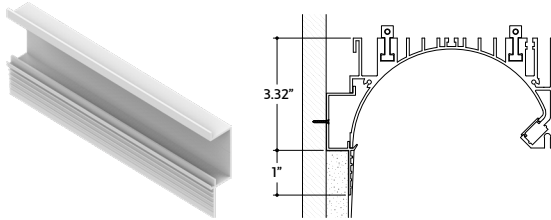
Note: Use 3 Aircraft Cable Assemblies per 8', rounded up. Consult factory for custom cable lengths.



Hanging Bracket Assembly
(A2-ZELO-ARC-HB)

Part #	Qty.
A2-ZELO-ARC-HB	

Note: Use 3 Hanging Bracket Assemblies per 8', rounded up. Refer to Installation Instructions for additional information.



8' Wall Trim Assembly
(A2-ZELO-ARC-WT-8')

Part #	Qty.
A2-ZELO-ARC-WT-8'	

Note: Wall Trim is included with fixture in 8' segments for field cutting. Refer to installation instructions for additional info.



Standard End Cap
(A2-ZELO-ARC-EC)

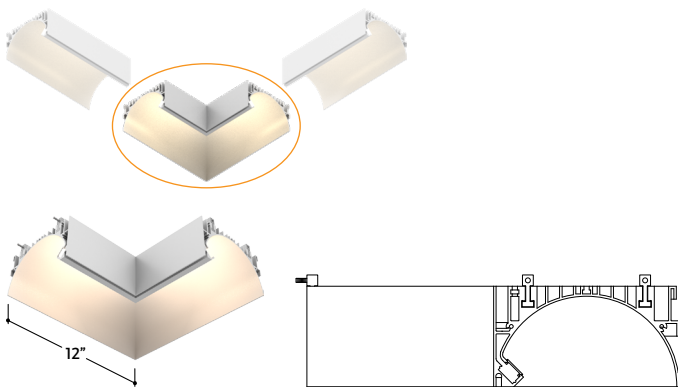
Part #	Qty.
A2-ZELO-ARC-EC	



Additional Reflective Film
(A2-ZELO-ARC-RF-X)
X = Specify Length Below

Part #	Qty.
A2-ZELO-ARC-RF-25'	
A2-ZELO-ARC-RF-50'	
A2-ZELO-ARC-RF-75'	
A2-ZELO-ARC-RF-100'	
A2-ZELO-ARC-RF-150'	
A2-ZELO-ARC-RF-200'	
A2-ZELO-ARC-RF-250'	

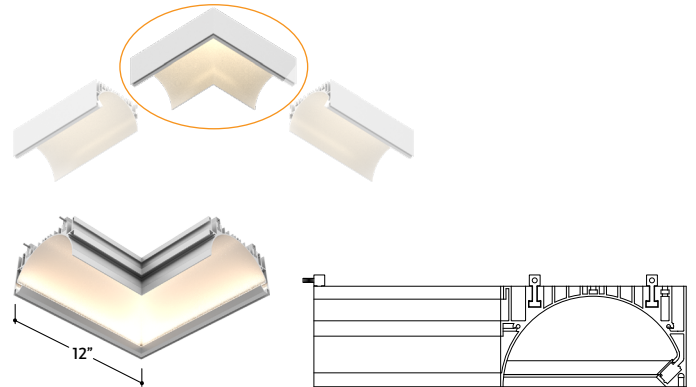
ILLUMINATED CORNERS (Sold Separately)



↓

Series / Ceiling Trim	Low CCT	High CCT	Watts per Foot	Control	Listing	Voltage	Qty.
UNV							

Note: Specify product code to match specified code from page 1. Click on image to see cut sheet for additional details.



↓

Series / Ceiling Trim	Low CCT	High CCT	Watts per Foot	Control	Listing	Voltage	Qty.
UNV							

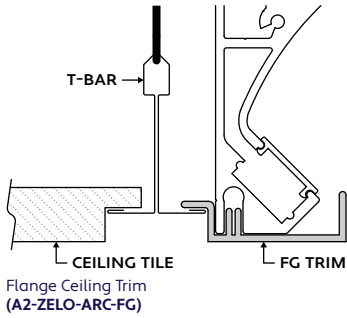
Note: Specify product code to match specified code from page 1. Click on image to see cut sheet for additional details.



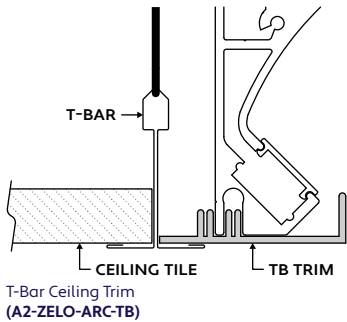
TRIM STYLE

DESCRIPTION

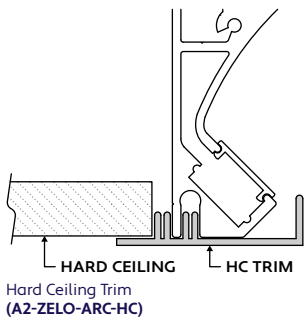
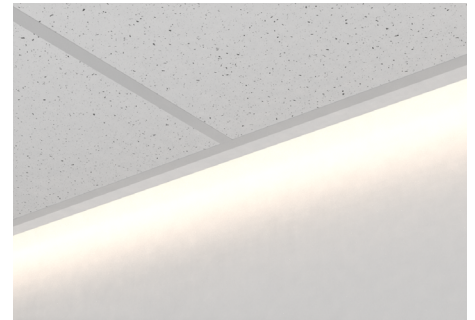
FINISHED APPEARANCE



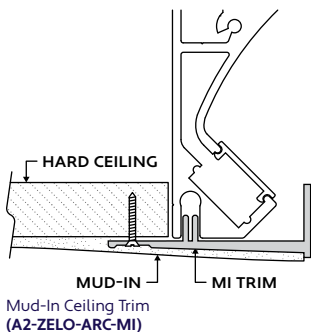
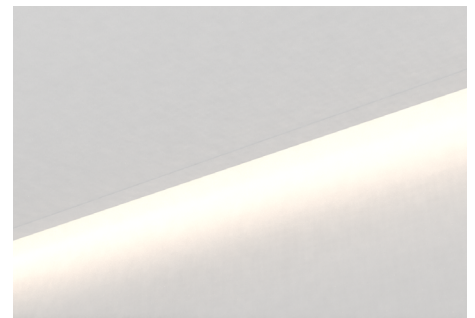
- Compatible with T-Bar ceiling grid systems
- Best used with tegular-edged tiles
- Trim rests on T-Bar grid



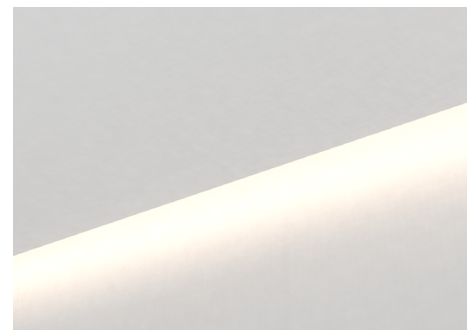
- Compatible with T-Bar ceiling grid systems
- Best used with square-edged tiles
- Trim rests on T-Bar grid



- Compatible suspended hard ceiling systems
- Best used with drywall ceiling
- Trim is flush with ceiling surface



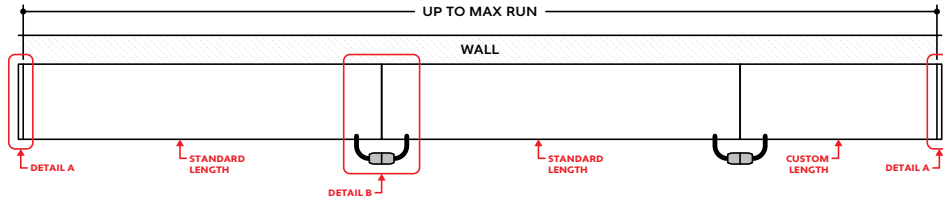
- Compatible suspended hard ceiling systems
- Best used with drywall ceiling
- Mud-in finish for seamless appearance



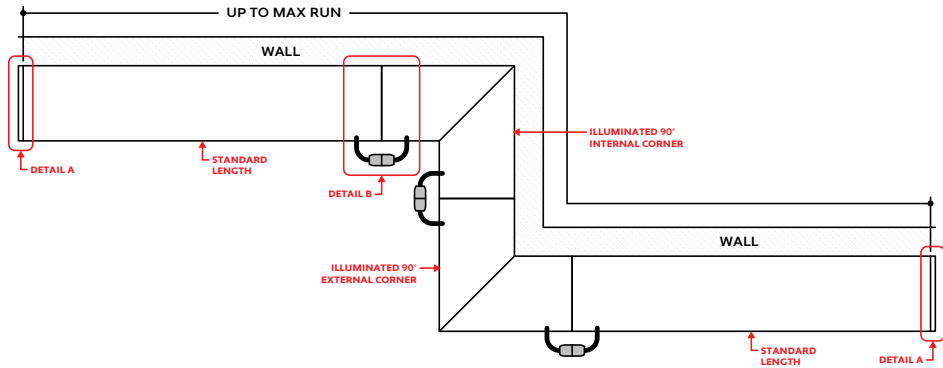


DESIGN GUIDELINES

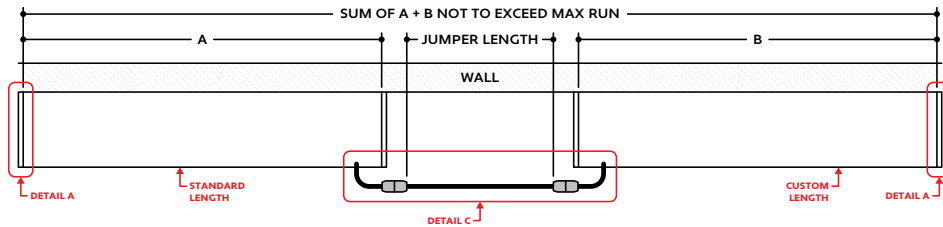
Individual Run



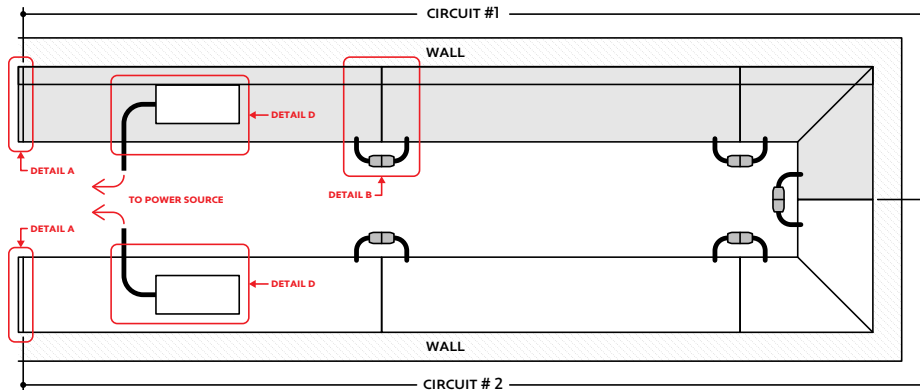
Run with Mitered Corners



Run with Jumper Cables



Continuous Run Exceeding Maximum Run



KEY

- Detail A** **End Cap:** An end cap is used to terminate each run at either end.
- Detail B** **Continuous Connection:** Luminaire segments are connected using an included continuous connector. See installation instructions for details.
- Detail C** **Continuous Connector (Jumper):** Used to span a corner or traverse a gap, corner, or obstacle in the installation area.
- Detail D** **Remote Driver:** For T-Bar ceiling grid applications, the driver may be mounted on top of the luminaire. See installation instructions for details.

Note: Drawings not to scale. Product may differ from examples shown.

620 South Richfield Rd, Placentia, CA 92870

aluz.lighting | info@aluz.lighting | 866.ALUZ.LTG | 714.535.7900

© ALUZ All Rights Reserved. ALUZ reserves the right to make changes or withdraw specifications without prior notice.

Specification Submittal

Page 6 of 6

3 / 31 / 2026 / Rev 15