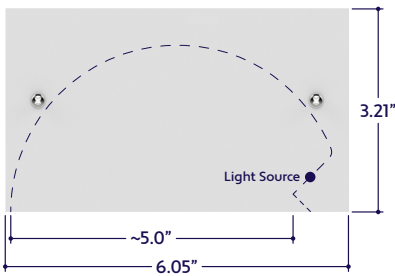




GENERAL FEATURES

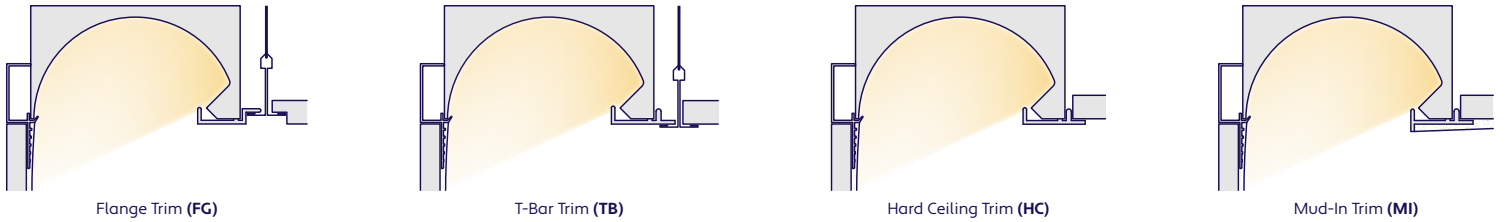
Applications	Indirect Lighting
Lens	Clear
Length	Built to Order (+/- 0.25" Tolerance)
Construction	Aluminum Extrusion
Finish	White
Weight	4.50 lbs per foot
Mounting	Mounting Brackets or Aircraft Cable (Sold Separately)
Listing	Dry or Damp Location UL1598, CSA C22.2#250.0 UL8750, CSA250 UL2108, 67.1.9, 60.4, CSA C22.2 #9
Driver	Driver on Board or Remote Driver
Closet Rating	Up to 3.6 Watts per Foot Maximum
Temperature Ratings	Operating / Startup: -20° to 48°C (-4° to 120°F) Storage: -40° to 76°C (-40° to 170°F)
FG Installation	
TB Installation	
HC Installation	
MI Installation	

END VIEWS / DIMENSIONS



Note: End view dimensions do not include ceiling trims or mounting options. Refer to trim-specific installation instructions for additional details.

MOUNTING OPTIONS



SPECIFY PRODUCT CODE | CHOOSE FROM DROP DOWNS

Series / Ceiling Trim	CCT LED	Watts per Foot	Dimming	Listing	Luminaire Voltage ⁶	Luminaire Length
UNV						
Flange Ceiling Trim (A2-ZELO-ARC-FG)	2400K (24K)	4 Watts (4W)	0-10V: 100% - .1% (10V)	Indoor (DRY)	120-277VAC Line Voltage (UNV)	Specify Length in Feet & Inches Example: 7'8"
	2700K (27K)	408 Lumens / ft* ¹	0-10V: 100% - 1% (10V-1%)			
T-Bar Ceiling Trim (A2-ZELO-ARC-TB)	3000K (30K)	5 Watts (5W)	0-10V: 100% - 10% (10V-10%)	Outdoor (DAMP)		
	3500K (35K)	510 Lumens / ft* ¹	Hi-Lume 1% 3 Wire* ² (L3DA)			
Hard Ceiling Trim (A2-ZELO-ARC-HC)	4000K (40K)	6 Watts (6W)	Hi-Lume Premier 0.1% JA8* ³ (L3D0)			
	4500K (45K)	612 Lumens / ft* ¹	DMX-512* ⁴ (DMX)			
Mud-In Ceiling Trim (A2-ZELO-ARC-MI)	5000K (50K)	8 Watts (8W)	DALI* ⁵ (DALI)			
	5700K (57K)	816 Lumens / ft* ¹	JA8 0-10V (JA8-10V)			
	Red (R)	12 Watts (12W)	Leave Blank for Non-Dimming			
	Green (G)	1224 Lumens / ft* ¹				
	Blue (B)					
	Amber (A)					

Note: See page 2 for ordering notes & restrictions.



A2 Series | Recessed

ZELO Arc

(A2-ZELO-ARC)

TYPE

ORDERING NOTES & RESTRICTIONS

- *¹ Lumens per Foot based on 35K CCT LED. **Example:** 102 Lumens x 4 Watts = 408 Lumens per Foot.
- *² (L3DA) 40 watt max Hi-Lume 1% L3DA3W #L3DA4UIUKL-CV240
- *³ (L3D0) 96 watt max Hi-Lume Premier 0.1% #L3D0-96W24V-U
- *⁴ Default DMX address of each fixture is 001. Consult third party DMX commissioner to modify at time of installation.
- *⁵ DALI commissioning to be performed by a third party at time of installation. ALUZ does not provide DALI commissioning.
- *⁶ Remote drivers wattage sized based on length of run. **Example:** 10' run x 6 watts per foot = 60 watts. Driver will be sized to 60 watts maximum.

ELECTRICAL

Dimming	0-10V, Lutron, DMX, DALI
Maximum Run (Class 2 Applications)	21' (4W), 17' (5W), 14' (6W), 10' (8W), 7' (12W)
Luminaire Voltage	120-277VAC (UNV)

LAMP SPECIFICATIONS

Lamp Number	Correlated Color Temperature / Description	Efficacy (Lumens per Watt)	L70 LED Life
24K	2400 Kelvin (Incandescent White)	102	60,000 hrs.
27K	2700 Kelvin (Warm White)	102	
30K	3000 Kelvin (Warm White)	102	
35K	3500 Kelvin (Neutral White)	102	
40K	4000 Kelvin (Neutral White)	102	
45K	4500 Kelvin (Neutral White)	102	
50K	5000 Kelvin (Cool White)	102	
57K	5700 Kelvin (Cool White)	102	40,000 hrs.
R	Red (621nm)		
G	Green (525nm)		
B	Blue (470nm)		
A	Amber (590nm)		

Note: To calculate Lumens per Foot, multiply Efficacy by Watts per Foot.
Example: 102 Lumens per Watt x 4 Watts per Foot = 408 Lumens per Foot.

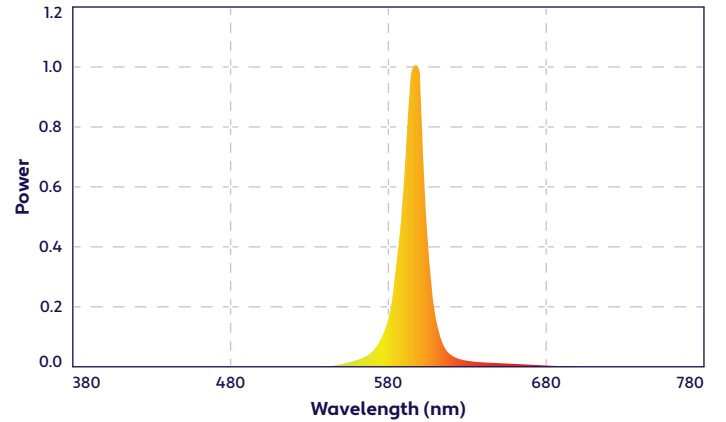
DRIVERS

Dimming Selection	Product Code	Link to Specification Sheet / URL
0-10V: 100% - 1%	(10V)	
Phase Dimming: Forward Phase / Reverse Phase	(PH)	
Hi-Lume 1% 3 Wire	(L3DA)	
Hi-Lume Premier 0.1% JA8	(L3D0)	
DMX-512	(DMX)	
DALI	(DALI)	
JA8 0-10V	(JA8-10V)	

LAMP FEATURES

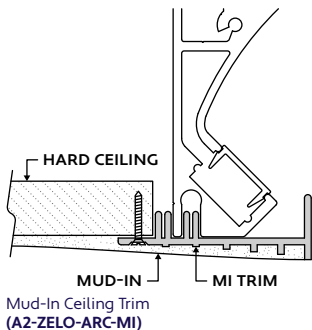
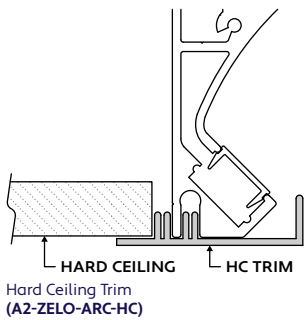
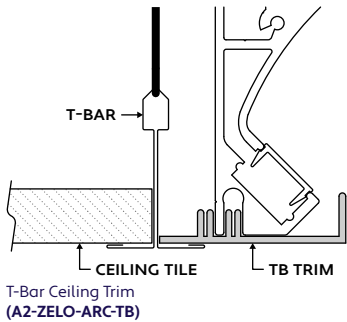
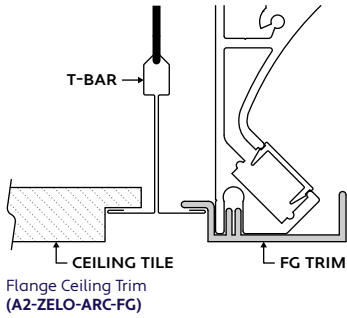
Lamp Type	High Output LEDs (No Mercury)
CRI	> 93
Efficacy (Based on 35K CCT LED)	102 Lumens per Watt

SPECTRAL POWER DISTRIBUTION AMBER LED (590nm) TURTLE FRIENDLY





TRIM STYLE



DESCRIPTION

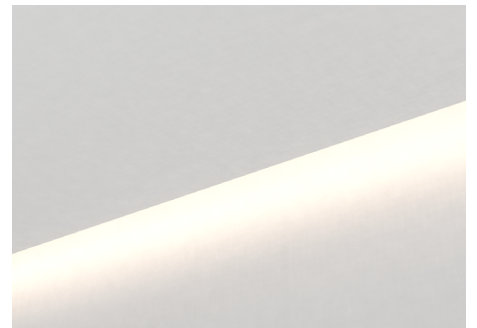
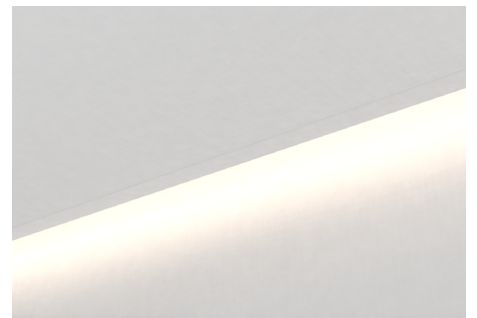
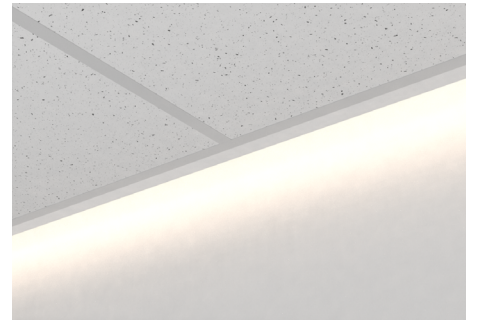
- Compatible with T-Bar ceiling grid systems
- Best used with tegular-edged tiles
- Trim rests on T-Bar grid

- Compatible with T-Bar ceiling grid systems
- Best used with square-edged tiles
- Trim rests on T-Bar grid

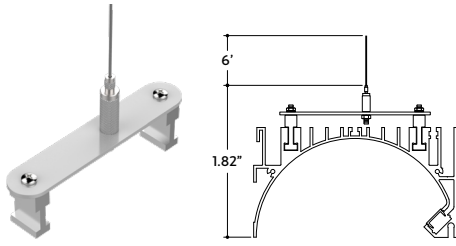
- Compatible suspended hard ceiling systems
- Best used with drywall ceiling
- Trim is flush with ceiling surface

- Compatible suspended hard ceiling systems
- Best used with drywall ceiling
- Mud-in finish for seamless appearance

FINISHED APPEARANCE



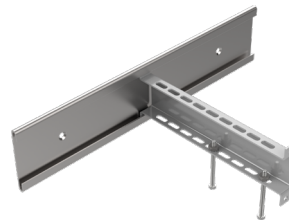
MOUNTING ACCESSORIES (Sold Separately)



Aircraft Cable Assembly
(A2-ZELO-ARC-AC-6')

Part #	Qty.
A2-ZELO-ARC-AC-6'	

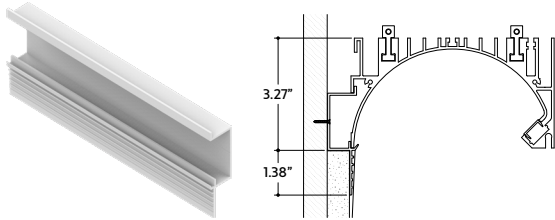
Note: Use 3 Aircraft Cable Assemblies per 8', rounded up. Consult factory for custom cable lengths.



Hanging Bracket Assembly
(A2-ZELO-ARC-HB)

Part #	Qty.
A2-ZELO-ARC-HB	

Note: Use 3 Hanging Bracket Assemblies per 8', rounded up. Refer to Installation Instructions for additional information.



8' Wall Trim Assembly
(A2-ZELO-ARC-WT-8')

Part #	Qty.
A2-ZELO-ARC-WT-8'	

Note: Wall Trim is included with fixture in 8' segments for field cutting. Refer to installation instructions for additional info.



Standard End Cap
(A2-ZELO-ARC-EC)

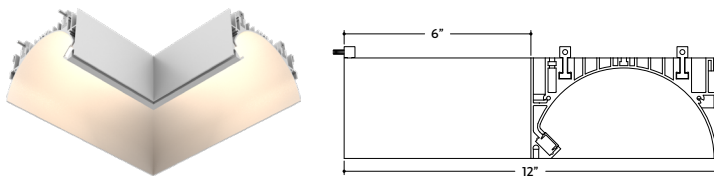
Part #	Qty.
A2-ZELO-ARC-EC	



Additional Reflective Film
(A2-ZELO-ARC-RF-X)
X = Specify Length Below

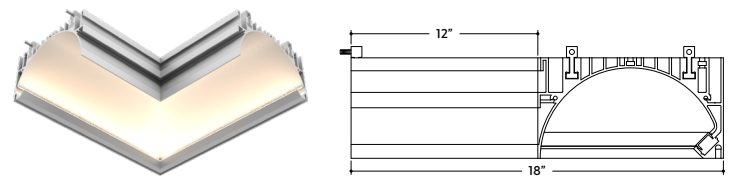
Part #	Qty.
A2-ZELO-ARC-RF-25'	
A2-ZELO-ARC-RF-50'	
A2-ZELO-ARC-RF-75'	
A2-ZELO-ARC-RF-100'	
A2-ZELO-ARC-RF-150'	
A2-ZELO-ARC-RF-200'	
A2-ZELO-ARC-RF-250'	

ILLUMINATED CORNERS (Sold Separately)



Series / Ceiling Trim	CCT LED	Watts per Foot	Dimming	Listing	Luminaire Voltage	Qty.
UNV						

Note: Specify product code to match specified code from page 1. Click on image to see cut sheet for additional details.

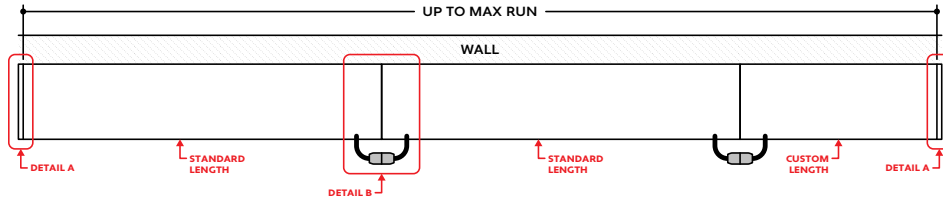


Series / Ceiling Trim	CCT LED	Watts per Foot	Dimming	Listing	Luminaire Voltage	Qty.
UNV						

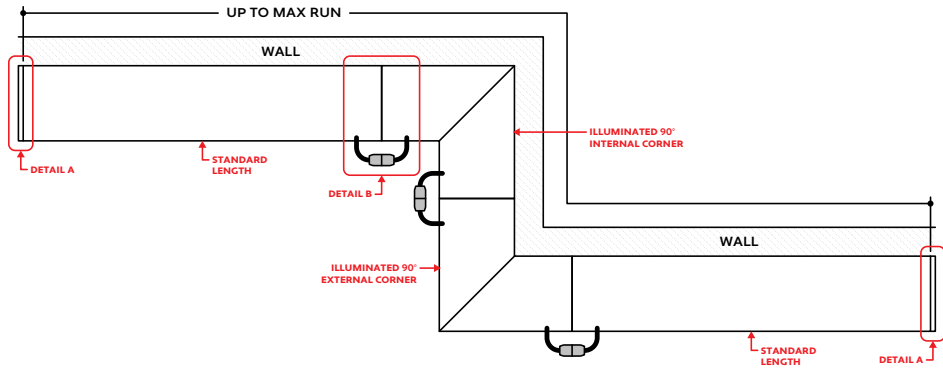
Note: Specify product code to match specified code from page 1. Click on image to see cut sheet for additional details.

DESIGN GUIDELINES

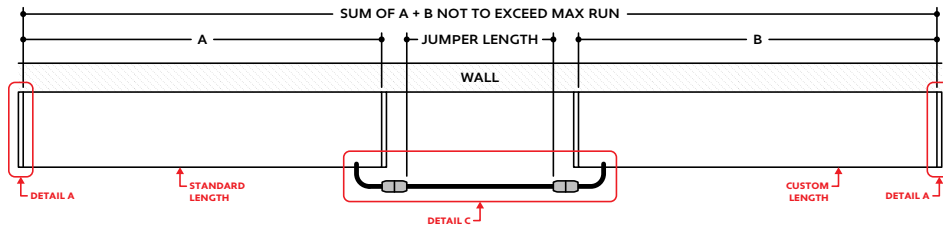
Individual Run



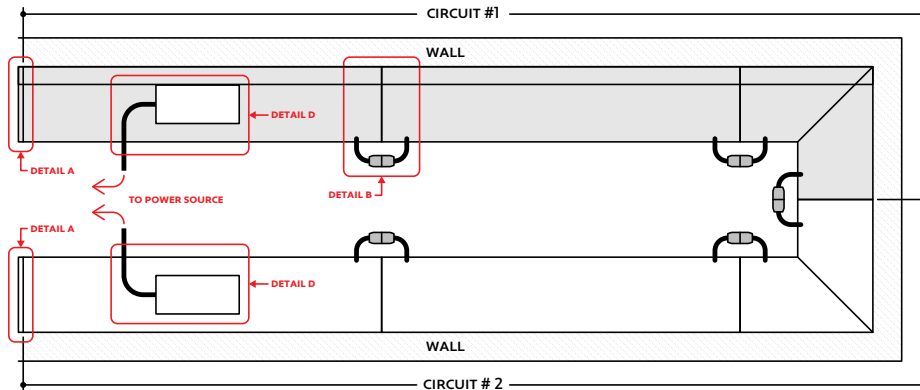
Run with Mitered Corners



Run with Jumper Cables



Continuous Run Exceeding Maximum Run



KEY

- Detail A** **End Cap:** An end cap is used to terminate each run at either end.
- Detail B** **Continuous Connection:** Luminaire segments are connected using an included continuous connector. See installation instructions for details.
- Detail C** **Continuous Connector (Jumper):** Used to span a corner or traverse a gap, corner, or obstacle in the installation area.
- Detail D** **Remote Driver:** For T-Bar ceiling grid applications, the driver may be mounted on top of the luminaire. See installation instructions for details.

Note: Drawings not to scale. Product may differ from examples shown.

1170 N Red Gum St, Anaheim, CA 92806

aluz.lighting | info@aluz.lighting | 866.ALUZ.LTG | 714.535.7900

© ALUZ All Rights Reserved. ALUZ reserves the right to make changes or withdraw specifications without prior notice.

Specification Submittal

Page 5 of 5

5 / 10 / 2024 / Rev 15