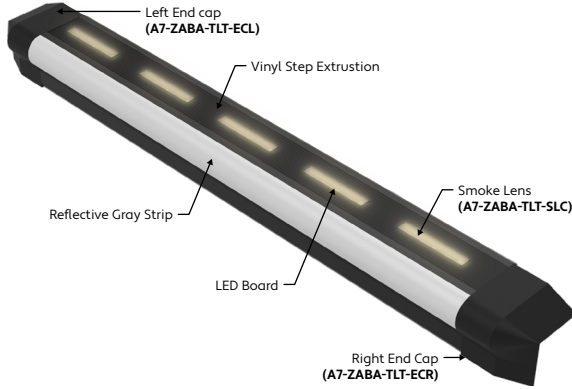


ALUZ

A7 Series | Auditorium / Theater TYPE

ZABA Top Light

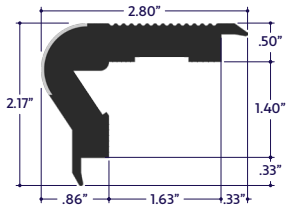
(A7-ZABA-TLT)



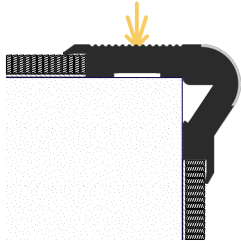
GENERAL FEATURES

Applications	Step Lighting
Length	Built to Order (+/- 0.25" Tolerance)
Construction	Vinyl Extrusion
Finish	Matte Black
Driver	Remote (Sold Separately)
Weight	0.78 lbs per foot
Mounting	Adhesive
Listing	Dry Location Only UL2108, CSA C22.2 #9 UL8750, CSA250
Temperature Ratings	Operating / Startup: -20° to 48°C (-4° to 120°F) Storage: -40° to 76°C (-40° to 170°F)
Installation Link	

END VIEW / DIMENSIONS



MOUNTING OPTION



Carpeted Steps

Do not install on top of carpet. Install directly onto concrete or wood floor.

ELECTRICAL

Dimming	0-10V, Forward / Reverse Phase, Lutron, DMX, DALI
Wiring	Parallel
Socket	Custom
Maximum Lamps (Class 1 Applications)	432
Maximum Lamps (Class 2 Applications)	344
Luminaire Voltage	24VDC

SPECIFY PRODUCT CODE | CHOOSE FROM DROP DOWNS

Series	Spacing ^{#1}	Dimming	LED	Lens ^{#6}	Luminaire Length
A7-ZABA-TLT					
ZABA Top Light (A7-ZABA-TLT)	4" On Center: 3 LEDs per Foot / 0.75W per Foot (4")	Phase Dimming: Forward / Reverse Phase (PH) 0-10V; 100% - 1% (10V)	2400K (24K) 3000K (30K)	Clear Lens (CL)	Specify Length in Feet & Inches Example: 7'8"
	6" On Center: 2 LEDs per Foot / 0.5W per Foot (6")	Hi-lume 1% 3 Wire ^{#2} (L3DA) Hi-lume Premier 0.1% ^{#2} (L3D0)	3500K (35K) 4000K (40K)	Smoke Lens (SLC)	
	8" On Center: 1.5 LEDs per Foot / 0.375W per Foot (8")	DMX-512 ^{#3} (DMX) DALI ^{#4} (DALI)	4500K (45K) 5000K (50K)		
	12" On Center: 1 LEDs per Foot / 0.25W per Foot (12")	Leave Blank for Non-Dimming	Red (R) Green (G) Blue (B) Amber (A)		

- ^{#1} +/- 1/8" Spacing tolerance.
- ^{#2} (L3DA) 40 watt max Lutron Hi-Lume 1% 3 Wire #L3DA4J1UKL-CV240
- ^{#3} (L3D0) 96 watt max Hi-Lume Premier 0.1% #L3D0-96W24V-U
- ^{#4} Default DMX address of each fixture is 001. Consult third party DMX commissioner to modify at time of installation.
- ^{#5} DALI commissioning to be performed by a third party at time of installation. ALUZ does not provide DALI commissioning.
- ^{#6} Replacement lenses are shipped in 2.5" increments.

1170 N Red Gum St, Anaheim, CA 92806

aluz.lighting | info@aluz.lighting | 866.ALUZ.LTG | 714.535.7900

© ALUZ All Rights Reserved. ALUZ reserves the right to make changes or withdraw specifications without prior notice.

Specification Submittal

Page 1 of 4

3 / 17 / 2025 / Rev 9

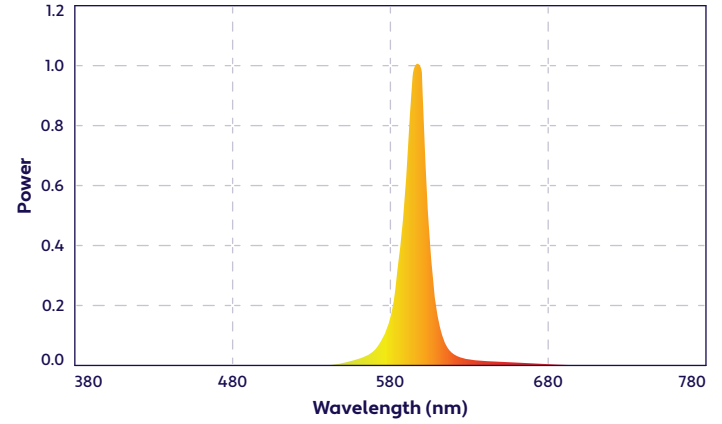
LAMP FEATURES

Lamp Type	LEDs
Lamp Watts	0.25 Watts per Lamp

LAMP SPECIFICATIONS

Lamp Number	Correlated Color Temperature	Description	L70 LED Life
30K	3000 Kelvin	Warm White	50,000 hrs.
50K	5000 Kelvin	Cool White	
R	Red	621nm	100,000 hrs.
G	Green	525nm	
B	Blue	470nm	
A	Amber	590nm	

SPECTRAL POWER DISTRIBUTION AMBER LED (590nm) TURTLE FRIENDLY

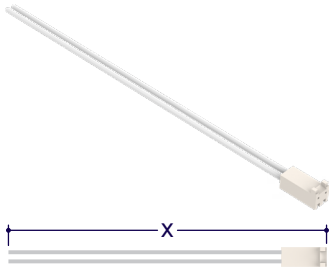


DRIVERS

Dimming Selection	Product Code	Link to Specification Sheet / URL
Phase Dimming: Forward Phase / Reverse Phase	(PH)	
0-10V: 100% - 1%	(10V)	
Hi-Lume 1% 3 Wire	(L3DA)	
Hi-Lume Premier 0.1% JA8	(L3D0)	
DMX-512	(DMX)	
DALI	(DALI)	

TYPE

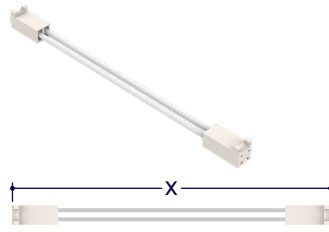
CONNECTORS (Sold Separately)



Quick Connect Power Connector
(22/2 Gauge Wire)
(A7-PC-2P-QC-DRY-X)
X = Specify Length, 36" Default

Part #	Length	Qty.
A7-PC-2P-QC-DRY-	36"	
A7-PC-2P-QC-DRY-		

Note: Use 1 Power Connector per run.



Quick Connect Continuous Connector
(22/2 Gauge Wire)
(A7-CC-2P-QC-DRY-X)
X = Specify Length, 3" Default

Part #	Length	Qty.
A7-CC-2P-QC-DRY-	3"	
A7-CC-2P-QC-DRY-		

Note: Use 1 Continuous Connector for each corner or gap connection along the run.

END CAPS (Sold Separately)



Left End Cap
(A7-ZABA-TLT-ECL)

Part #	Qty.
A7-ZABA-TLT-ECL	

Note: Use 1 Left End Cap when a run terminates on the left side of step.



Right End Cap
(A7-ZABA-TLT-ECR)

Part #	Qty.
A7-ZABA-TLT-ECR	

Note: Use 1 Right End Cap when a run terminates on the right side of step.

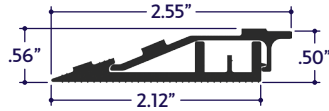
MOUNTING ACCESSORIES (Sold Separately)



28 oz Adhesive Tube
(A7-AD-28OZ)

Part #	Qty.
A7-AD-28OZ	

Note: Each tube typically mounts 15' of extrusion.



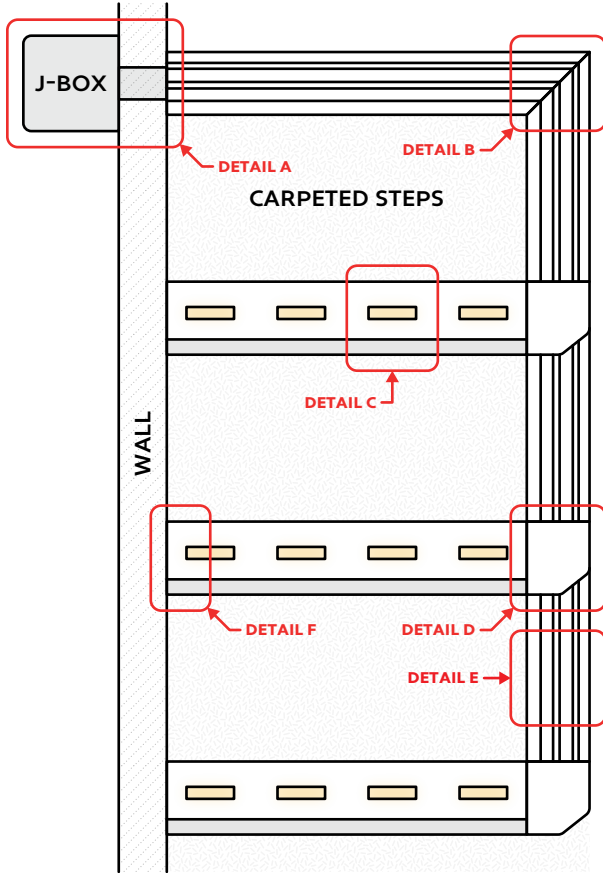
8' Raceway Base & Cover
(A7-ZABA-TLT-RW-8')

Part #	Qty.
A7-ZABA-TLT-RW-8'	

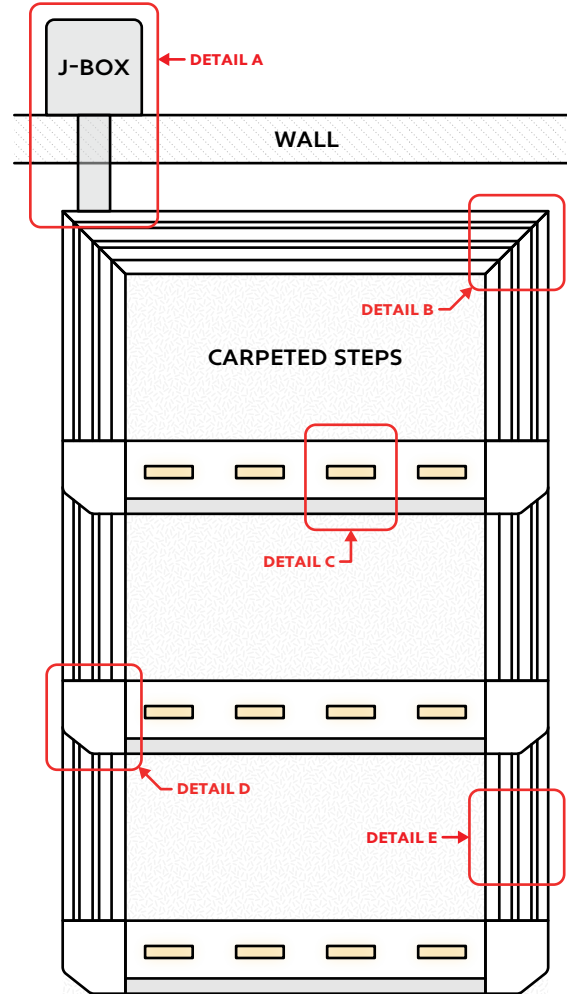
Note: Use Raceway as needed in 8' segments for field cutting. Use in conjunction with End Caps.

DESIGN GUIDELINES

Single Side Steps



Dual Side Steps



KEY

- Detail A** **Junction Box (By Others):** Wiring connection from junction box to raceway via conduit (by others).
- Detail B** **Raceway Mitering:** Luminaire segments are connected using an external continuous connector, with ends butted together.
- Detail C** **Step Extrusion:** Step extrusion with lights on top surface only.
- Detail D** **End Cap:** The end cap connects the step extrusion with riser and tread raceway on both sides of the step.
- Detail E** **Tread Raceway:** The raceway transitions from carpet to floor and is used to run wiring from step to step.
- Detail F** **Wall:** The step extrusion butts up to the wall on one side, and has an end cap on the other side.

Note: Drawings not to scale. Product may differ from examples shown.