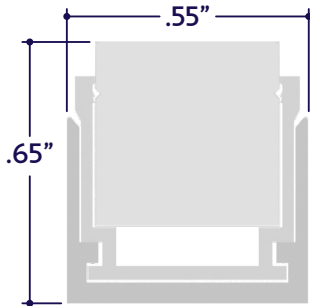




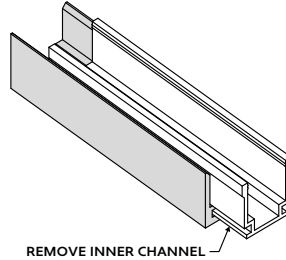
Perspective View



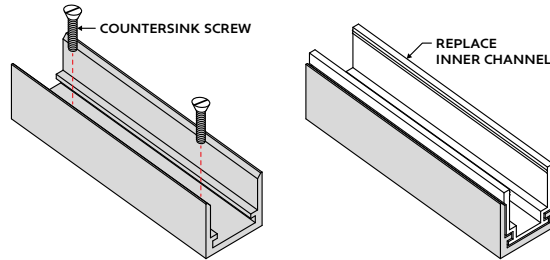
Assembled Dimensions



- 1 Measure area where luminaire will be installed. Use a laser line to create a reference along installation area, ensuring accurate placement of mounting channels. Mark location where each mounting channel segment will be installed along reference line.
- 2 Use mounting channels as needed. Size the channels 2-1/2" shorter than length of lightstrip to account for end cap and power connector.
- 3 Prepare channels for mounting by removing inner channel.

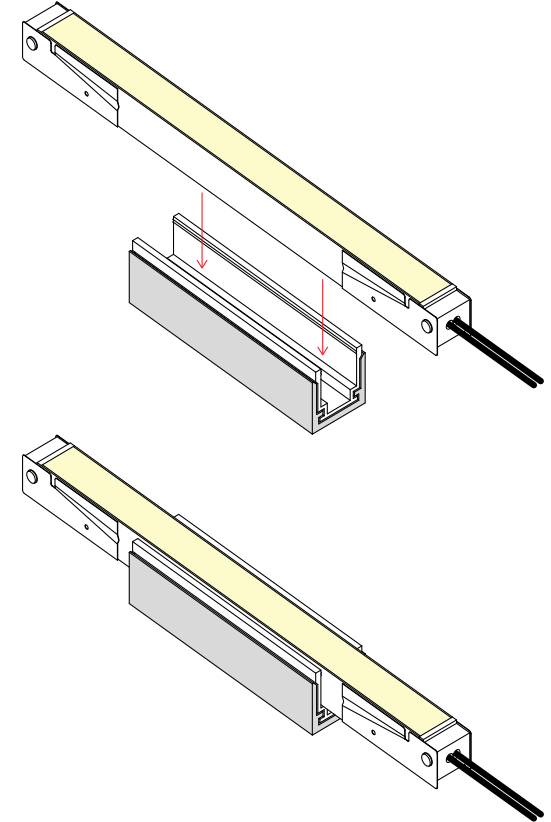


- 4 Lay mounting channels along reference line and pre-drill using an appropriate drill bit for surface material and screw size. **Note:** Allow 1/8" clearance on each side of mounting channel to account for lateral expansion. Only install mounting channels on flat, even surfaces.
- 5 Screw outer channels to surface using countersink screws, then replace inner channels by sliding them into place.

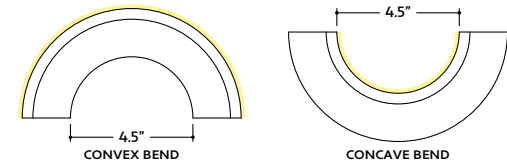


A8 Series | LED Tape ZUFI Flex Mini - Mounting Channel (A8-ZUFI-FLM-UC)

- 6 Install lightstrip into mounting channels. Ensure the lightstrip fits snugly into each channel. **Note:** Leave a 1/2" gap between channel and power connector or end cap.



BEND RADIUS



2" Minimum Bend Radius

The minimum bend radius refers to the smallest bend radius the lightstrip is capable of withstanding. Bending beyond the minimum bend radius can damage the internal circuitry.