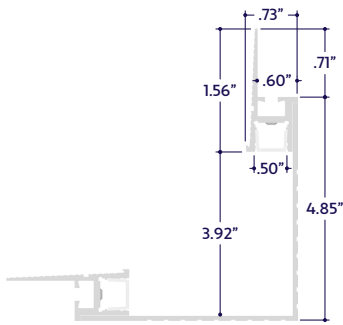


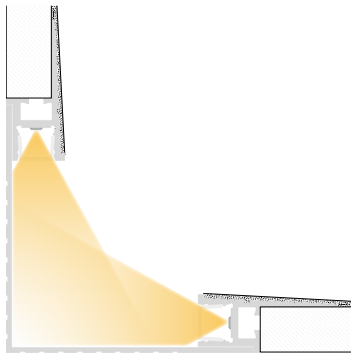
GENERAL FEATURES

Applications	Mud-In, Accent, Decorative, Surface, Recessed Lighting
Lens	50% Semi-Frosted, or 100% Frosted
Viewing Angle	120°
Length	Built to Order (+/- 1/8" Tolerance)
Construction	Aluminum Extrusion
Weight	0.81 lbs per foot
Mounting	Mud-In
Listing	Dry or Damp Location UL2108, 67.1.9, 60.4, CSA C22.2 #9 UL8750, CSA250
Driver	Remote (Sold Separately)
Closet Rating	Up to 3.6 Watts per Foot Maximum
Temperature Ratings	Operating / Startup: -20° to 48°C (-4° to 120°F) Storage: -40° to 76°C (-40° to 170°F)

END VIEW / DIMENSIONS



MOUNTING OPTION



Mud-In

ELECTRICAL

Dimming	0-10V
Maximum Run (Class 1 Applications)	27' (4.3W)
Maximum Run (Class 2 Applications)	19' (4.3W)
Luminaire Voltage	24VDC

LENS / OPTICS APPEARANCE

50% Semi-Frosted Lens (SF) Slight Diode Image 12.5% Light Loss	100% Frosted Lens (F) No Diode Image: Line of Light 25% Light Loss
---	---

SPECIFY PRODUCT CODE | CHOOSE FROM DROP DOWNS

Series	Lens	Watts per Foot	Dimming	LED	Listing	Finish	Luminaire Length
A8-ZYPO-FWC		4.3W	10V	DWM			
ZYPO Flush Wall Corner (A8-ZYPO-FWC)	50% Semi-Frosted Lens (SF)	4.3 Watts (4.3W)	0-10V: 100% - 1% (10V)	Dim to Warm: 3000K - 2200K (DWM)	Indoor (DRY)	Natural Silver (NA) Polished (PA)	Specify Length in Feet & Inches Example: 7'8"
	100% Frosted Lens: Line of Light (F)				Outdoor (DAMP)	White* (WH) Satin / Silver (SA) Black (BK)	

* Default finish is White (WH) if left blank.



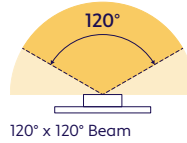
LAMP SPECIFICATIONS

Lamp Number	Correlated Color Temperature (CCT) @ Dimming Percentage	L70 LED Life
DWM	2400 Kelvin @ 25%	60,000 hrs.
	2600 Kelvin @ 50%	
	2800 Kelvin @ 75%	
	3000 Kelvin @ 100%	

LAMP FEATURES

Lamp Type	Dim to Warm LEDs
CRI	> 90
Efficacy	148 Lumens per Watt @ 25% 137 Lumens per Watt @ 50% 118 Lumens per Watt @ 75% 92 Lumens per Watt @ 100%

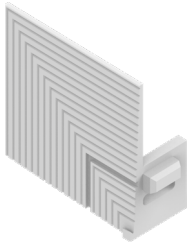
BEAM ANGLE



DRIVERS

Dimming Selection	Product Code	Link to Specification Sheet / URL
0-10V: 100% - 1%	(10V)	

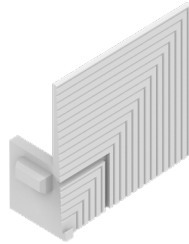
END CAPS (Sold Separately)



Left End Cap
(A8-ZYPO-FWC-ECL)

Part #	Qty.
A8-ZYPO-FWC-ECL	

Note: Use 1 Left End Cap for each terminus on the left side.

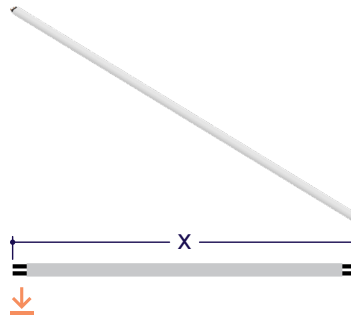


Right End Cap
(A8-ZYPO-FWC-ECR)

Part #	Qty.
A8-ZYPO-FWC-ECR	

Note: Use 1 Right End Cap for each terminus on the right side.

DRY CONNECTORS (Sold Separately)

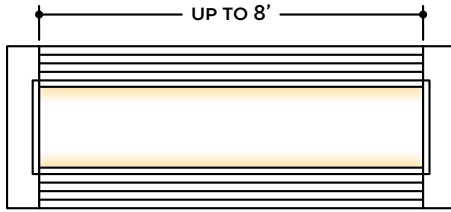


Part #	Length	Qty.
A8-PC-2P-PLM-DRY-	36"	
A8-PC-2P-PLM-DRY-		

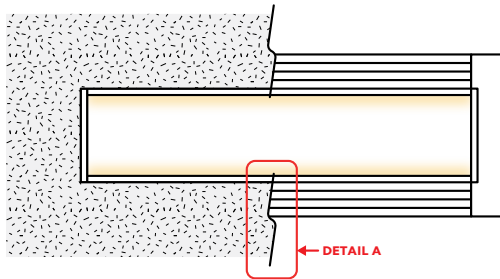


DESIGN GUIDELINES

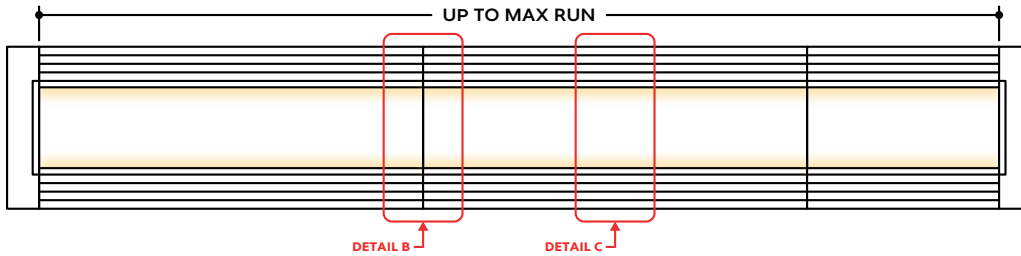
Individual Fixture



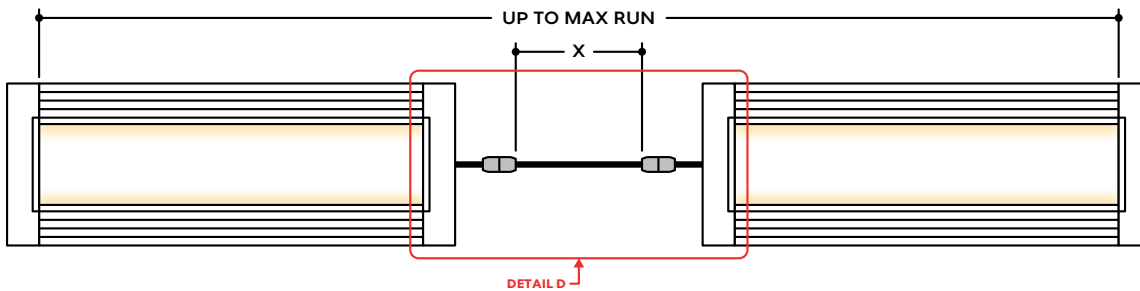
Individual Fixture with Mud-In



Continuous Run



Runs with Continuous Connector



KEY

- Detail A Mud-In:** Plaster is used to cover the flanges of the extrusion, leaving a flush appearance. Refer to installation instructions for details.
- Detail B Two Extrusions Meet:** Two extrusion segments meet. Refer to installation instructions for additional details.
- Detail C Two Lenses Meet:** Lenses are staggered so that the lens always overlaps where two extrusion segments meet. Refer to installation instructions for additional details.
- Detail D Dry Continuous Connector:** Used to span a corner or traverse a gap, corner, or obstacle in a dry location installation area. For Mud-In applications, the connection is located behind the mounting surface, such as drywall.

Note: Drawings not to scale. Product may differ from examples shown.