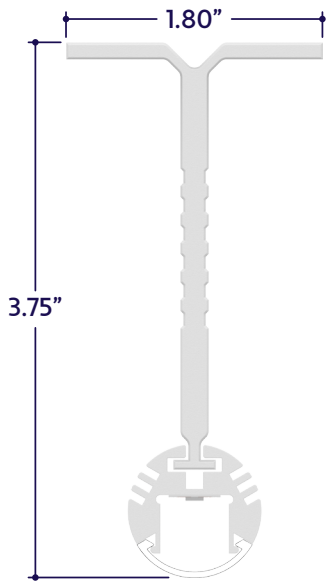




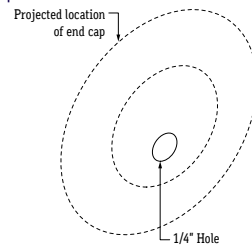
Perspective View



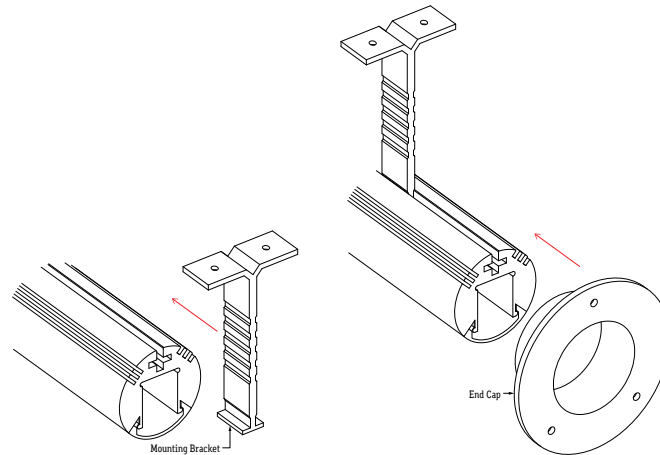
Assembled Dimensions



- 1 Measure area where luminaire will be installed. Use a laser line to create a reference line along installation area, ensuring consistent alignment of mounting brackets. Mark location where each mounting brackets will be installed along reference line.
- 2 Mark location where mounting brackets will be installed. Use 1 mounting bracket every 2', evenly spaced. Round up if length is not divisible by 2. **Example:** 7'6" = 4 Mounting Brackets.
- 3 Position mounting brackets and pre-drill using an appropriate drill bit for surface material and screw size. **Note:** Use countersink screws appropriate for material of mounting surface.
- 4 Mark location where end caps will be installed. Drill a 1/4" hole in mounting surface where end cap will be mounted.

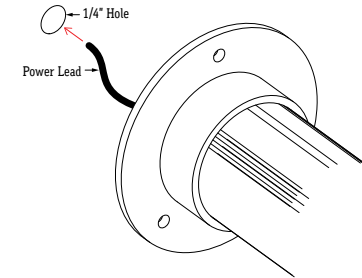


- 5 Slide mounting brackets into assembled luminaire, then slide end caps onto each end.



A8 Series | LED Tape ZYPO Pendant Rod - Mounting Bracket (A8-ZYPO-ROD-MB)

- 6 Feed power lead through hole and make wiring connections. **Note:** Do not to pinch wires between end cap and mounting surface.



- 7 Position luminaire, then screw mounting brackets to ceiling surface using countersink screws. After all mounting brackets have been mounted, mount end caps. Have one person hold luminaire in place while another screws brackets and end caps to surface.

